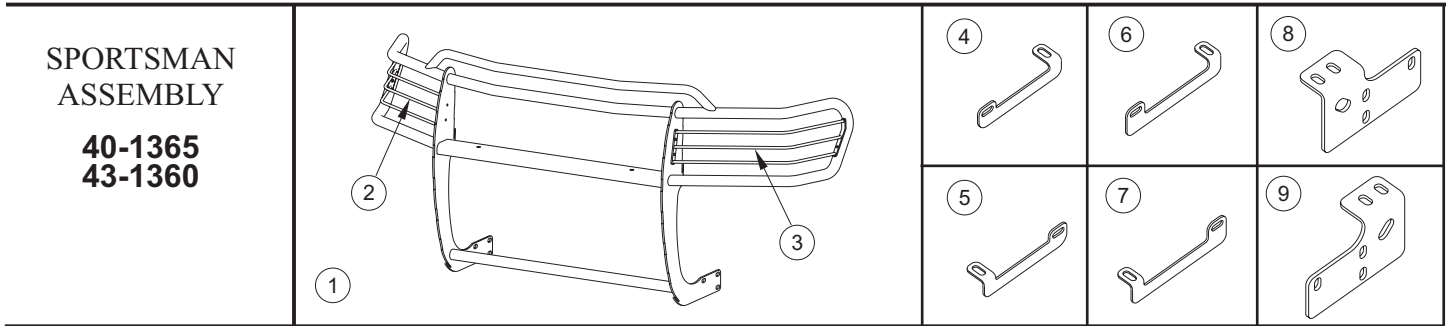




INSTALLATION INSTRUCTIONS

APPLICATION: 1999-UP TOYOTA TUNDRA

AUTOMOTIVE PRODUCTS, INC.



PARTS KIT CONTENTS

ITEM	QTY	DESCRIPTION	ITEM	QTY	DESCRIPTION
1	1	SPORTSMAN ASSEMBLY	14	2	1/2" NYLON WASHER
2,3	2	LIGHT GUARD ASSEMBLY, PASSENGER (2) AND DRIVER (3)	15	4	3/8-16 X 1.25" BUTTON HEAD BOLT
4,5	2	SUPPORT BRACE, PASSENGER (4) AND DRIVER (5) 1999-2002 MODELS	16	2	3/8-16 X 1.25" BLK. BUTTON HEAD BOLT
6,7	2	SUPPORT BRACE, PASSENGER (6) AND DRIVER (7) 2003-UP MODELS	17	4	3/8" BLK. FLAT WASHER
8,9	2	BOTTOM BRACKET, PASSENGER (8) AND DRIVER (9)	18	2	3/8" BLK. LOCK NUT
10	6	1/2-13 X 1.25" BLK. HEX HEAD BOLT	19	2	3/8-16 X .50" BUTTON HEAD BOLT
11	12	1/2" BLK. FLAT WASHER	20	2	3/8" FLANGED LOCK NUT
12	8	1/2" BLK. LOCK WASHER	21	2	1/4" FLAT WASHER
13	6	1/2-13 HEX NUT	22	2	15" REFLECTIVE TAPE (FOR CHROME ASSEMBLIES)

NOTE: NOT ALL FASTENERS WILL BE USED.

TOOLS REQUIRED

3/4" SOCKET	9/16" SOCKET	17MM SOCKET	14MM SOCKET	10MM SOCKET
3/4" WRENCH	9/16" WRENCH	7/16" WRENCH	12MM WRENCH	5/32" HEX WRENCH
14MM WRENCH	RATCHET	TORQUE WRENCH	UTILITY KNIFE	FLAT TIP SCREWDRIVER

- STEP 1.** Remove the contents from box and check for damage. Verify all parts are present. Read instructions completely before beginning.
- STEP 2.** Attach light guard assemblies as shown. **SEE FIGURE 1.**
- STEP 3.** Determine passenger and driver brackets.
- STEP 4.** From underside of vehicle, remove tie down loop and "J" hook bolts. Discard tie down loops and move "J" hook and factory bolts from passenger side to driver side and visa versa. Install bottom brackets using existing bolts. Hand tighten. **SEE FIGURE 2.**
- STEP 5.** Determine passenger and driver braces.
NOTE: 1999-02 models use shorter braces and 2003-UP models use longer braces.
- STEP 6.** Open vehicle hood. 1999-02 models: Fasten braces to front hole on front end panel as shown. **SEE FIGURE 3 AND 4.** Leave loose. 2003-UP models: Remove 10mm nut from stud on front end panel and fasten brace as shown. **SEE FIGURE 6.** Leave loose.
- STEP 7.** Place cardboard under vehicle. Lay Sportsman on the cardboard with front side down. Align lower rear upright slots with lower rear bracket slots and fasten together using 1/2" fasteners. Hand tighten. Rotate Sportsman up towards vehicle so that remaining slots align, fasten together using remaining 1/2" fasteners. **SEE FIGURE 5. CAUTION:** Watch for clearance between vehicle and Sportsman.

STEP 8. Attach top support braces to uprights using 3/8" fasteners. Hand tighten. **SEE FIGURES 3,4 AND 6.**

STEP 9. Center and level Sportsman with vehicle. Torque tow hook fasteners to 75 FT.LBS; 1/2" fasteners to 65 FT.LBS; 3/8" fasteners to 35 FT.LBS. and 10mm nuts to 11 FT.LBS.

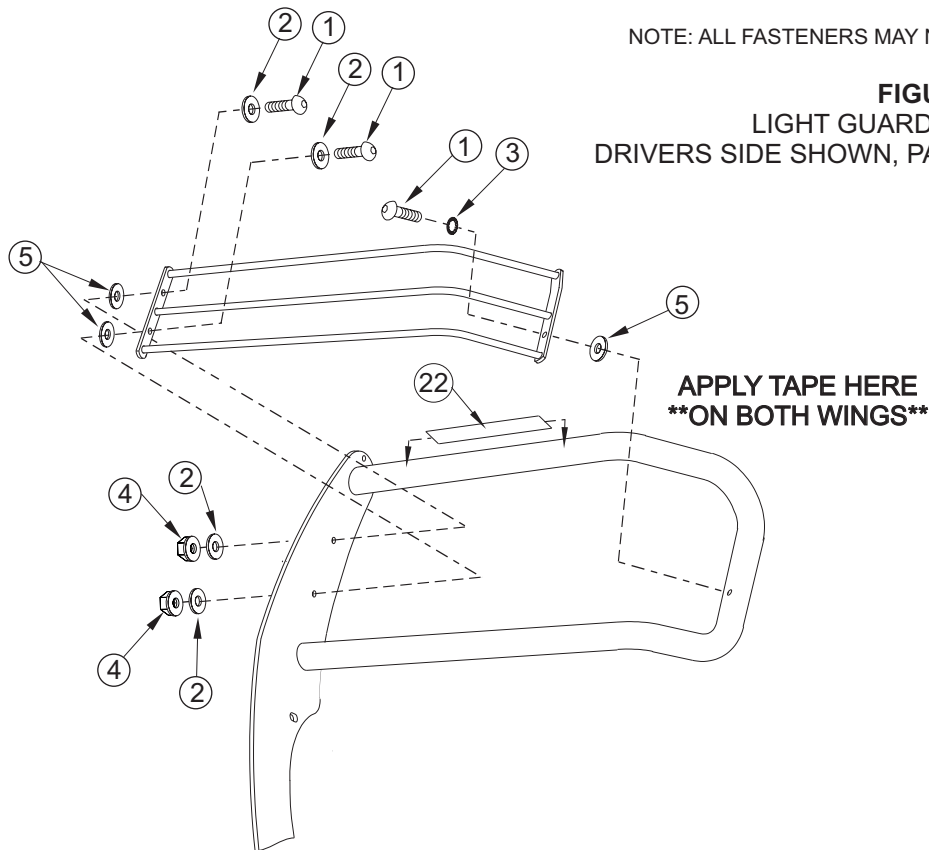
NOTE: Slowly close vehicle hood! Be sure there is proper clearance between the Sportsman and hood. If not, readjust Sportsman.

STEP 10. For chrome assemblies. If light glare is being experienced off the wings of the grille guard, anti reflective tape has been supplied to reduce glare. With headlights on, note where the reflection is concentrated on the wing. Clean the wing well with a non-abrasive cleaner (rubbing alcohol works the best.) Trim the anti-reflective tape to the appropriate size where the glare was located and apply tape. **SEE FIGURE 1.**

ITEM	QTY.	DESCRIPTION
1	8	1/4-20 X 1.00" BUTTON HEAD BOLT
2	8	1/4" FLAT WASHER
3	4	1/4" INTERNAL TOOTH LOCK WASHER
4	4	1/4-20 NYLON NUT
5	8	RUBBER WASHER

NOTE: ALL FASTENERS MAY NOT BE USED.

FIGURE 1
LIGHT GUARD INSTALLATION
DRIVERS SIDE SHOWN, PASSENGER SIDE OPPOSITE



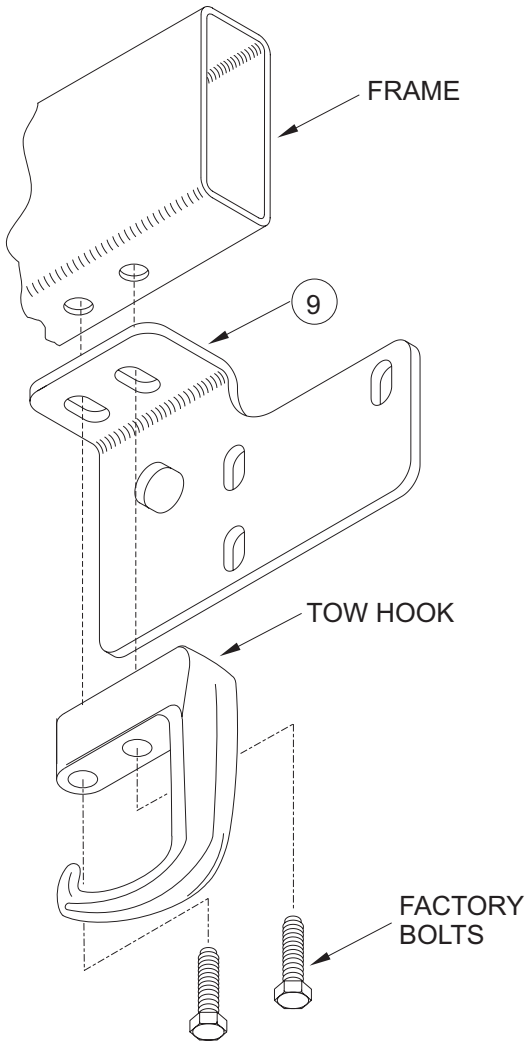


FIGURE 2
 INSTALLATION VIEW OF DRIVER SIDE,
 PASSENGER SIDE OPPOSITE

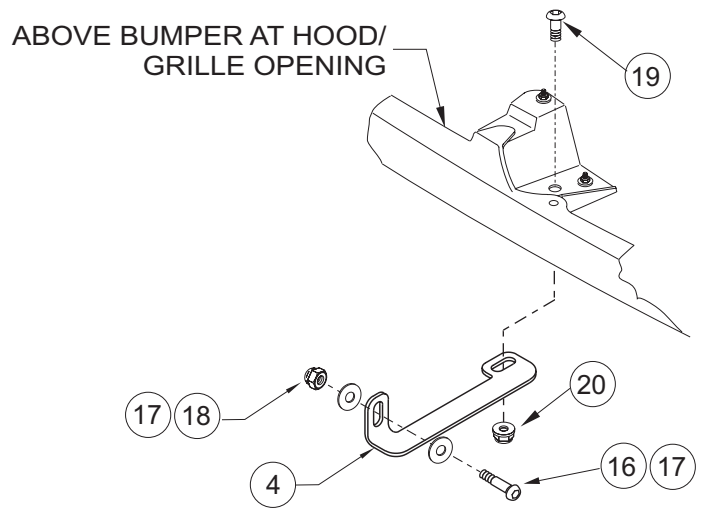


FIGURE 3
 PASSENGER SIDE SHOWN,
 DRIVER SIDE OPPOSITE
1999-02 MODELS

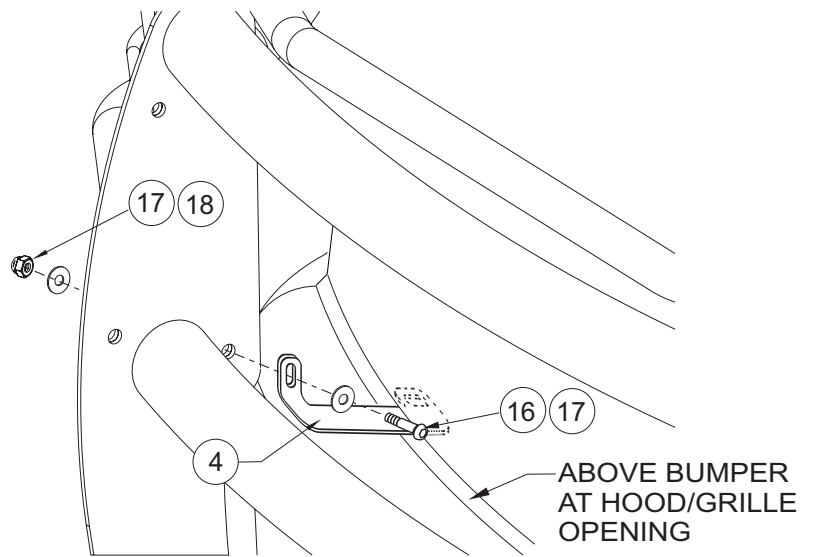


FIGURE 4
 PASSENGER SIDE SHOWN,
 DRIVER SIDE OPPOSITE
1999-02 MODELS

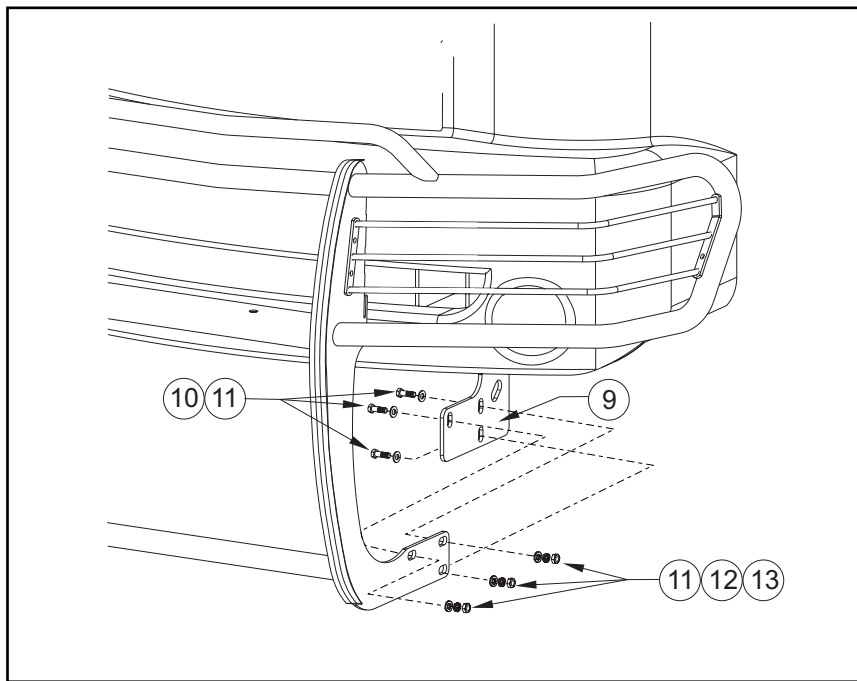


FIGURE 5
 DRIVER SIDE SHOWN,
 PASSENGER SIDE OPPOSITE

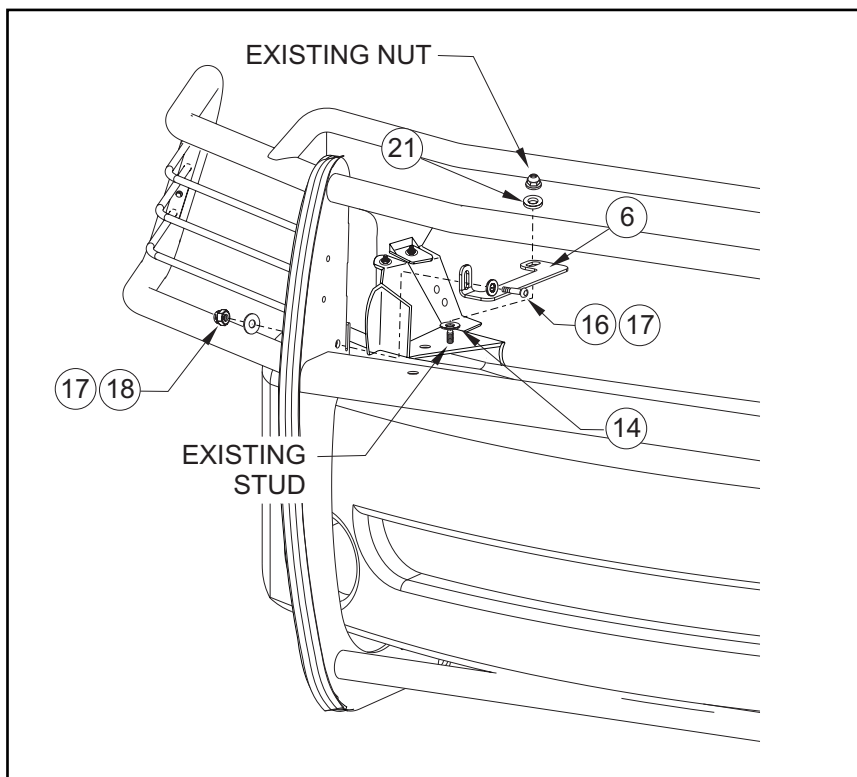


FIGURE 6
 PASSENGER SIDE SHOWN,
 DRIVER SIDE OPPOSITE
2003-UP MODELS

Finish protection - Westin products have a high quality finish that must be cared for like any other exposed finish on the vehicle. Protect the finish with a non-abrasive automotive wax (pure carnauba, for example) on a regular basis. The use of cleaner wax or any compound which contains an abrasive is detrimental, as the compounds scratch the finish and open it to corrosion.