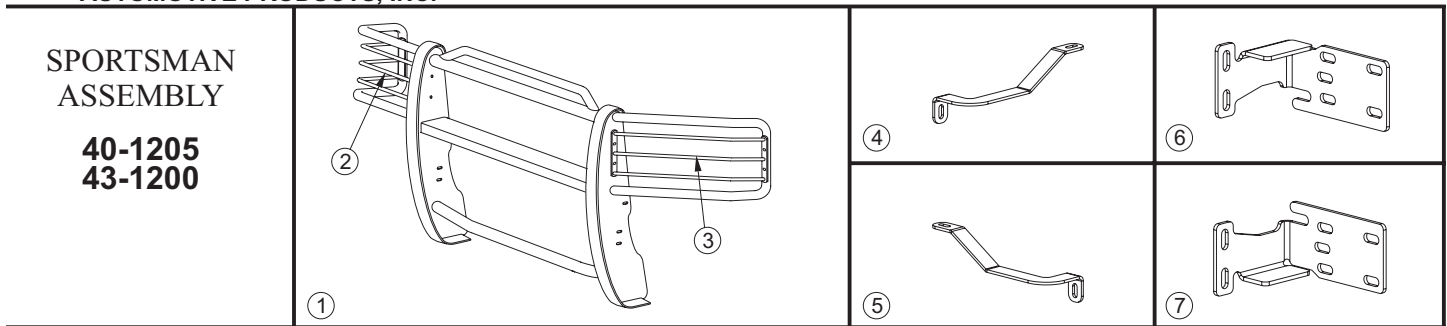




INSTALLATION INSTRUCTIONS

APPLICATION: 2002-UP DODGE RAM 1500
2003-UP DODGE RAM 2500/3500HD

AUTOMOTIVE PRODUCTS, INC.



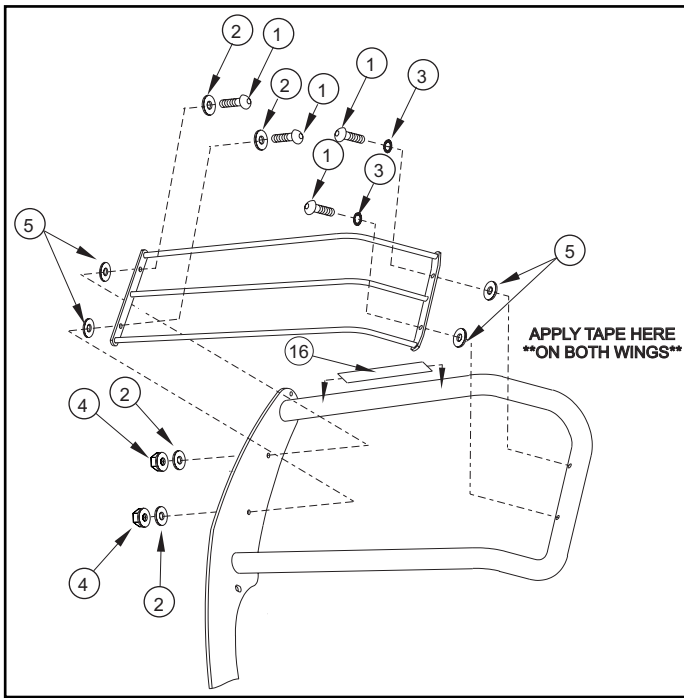
PARTS KIT CONTENTS

ITEM	QTY	DESCRIPTION	ITEM	QTY	DESCRIPTION
1	1	SPORTSMAN ASSEMBLY	11	6	3/8-16 X 1.25" HEX HEAD BOLT
2,3	2	LIGHT GUARD ASSEMBLY, PASSENGER(2) AND DRIVER(3)	12	6	3/8-16 X 1.25" BUTTON HEAD BOLT
4,5	2	TOP BRACKET, PASSENGER(4) AND DRIVER(5)	13	24	3/8" FLAT WASHER
6,7	2	BOTTOM BRACKET, PASSENGER(6) AND DRIVER(7)	14	12	3/8" LOCK WASHER
8	2	M8-1.25 X 25MM HEX HEAD BOLT	15	12	3/8-16 HEX NUT
9	2	8MM FLAT WASHER	16	2	ANTI-REFLECTIVE TAPE (FOR CHROME ASSEMBLIES ONLY.)
10	2	8MM LOCK WASHER			

TOOLS REQUIRED

9/16" SOCKET RATCHET 9/16" WRENCH SOCKET EXTENSION 7/16" WRENCH TORQUE WRENCH 5/32" HEX WRENCH FLAT TIP SCREWDRIVER 13MM SOCKET

- STEP 1. Remove the contents from box and check for damage. Verify all parts are present. Read instructions completely before beginning.
- STEP 2. Attach light guard assemblies as shown. **SEE FIGURE 1.**
- STEP 3. Determine passenger and driver mount brackets.
- STEP 4. The center bumper filler must be removed so brackets can be mounted to frame surface. From the backside of bumper, use a small screwdriver to push out the center of plastic rivet. Once the center is pushed out, push out the main body of the rivet. Remove all rivets and remove filler panel.
- STEP 5. **1500 MODELS:** Align bracket on front frame face's outside holes and attach to vehicle using 3/8" fasteners as shown. **SEE FIGURE 2.**
NOTE: On 1500 models with one piece tow hook bar, install brackets behind tow hook bar and use existing bolts with (1) 3/8-16 x 1.25" hex head bolt, (2) 3/8" flat washers, (1) 3/8" lock washer and (1) 3/8-16" hex nut per side to attach mount bracket.
2500/3500 MODELS: Align bracket to use three of the four front frame face holes. Attach the brackets to the frame face using 3/8" fasteners as shown. **SEE FIGURE 3.**
- STEP 6. Open vehicle hood, on frame cross member remove factory 8mm bolt on each end. Fasten top bracket on each side using the metric fasteners as shown. Leave fasteners loose. **SEE FIGURE 2.**
- STEP 7. Place Sportsman up to vehicle and align slots. Fasten together using remaining 3/8" hardware. Leave loose.
- STEP 8. Center and level Sportsman on vehicle. Make sure vehicle hood will clear unit and top braces when opening and closing. Torque 3/8" fasteners to 30 Ft. Lbs., and 8mm fasteners to 26 Ft. Lbs.
- STEP 9. For chrome assemblies. If light glare is being experienced off the wings of the Sportsman, anti-reflective tape has been supplied to reduce glare. With headlights on, note where the reflection is concentrated on the wing. Clean the wing well with a non-abrasive cleaner (rubbing alcohol works the best.) Trim the anti-reflective tape to the appropriate size where the glare was located and apply tape. **SEE FIGURE 1.**



ITEM	QTY.	DESCRIPTION
1	8	1/4-20 X 1.00" BUTTON HEAD BOLT
2	8	1/4" FLAT WASHER
3	4	1/4" INTERNAL TOOTH LOCK WASHER
4	4	1/4-20 NYLON NUT
5	8	RUBBER WASHER

NOTE: ALL FASTENERS MAY NOT BE USED.

FIGURE 1
LIGHT GUARD INSTALLATION

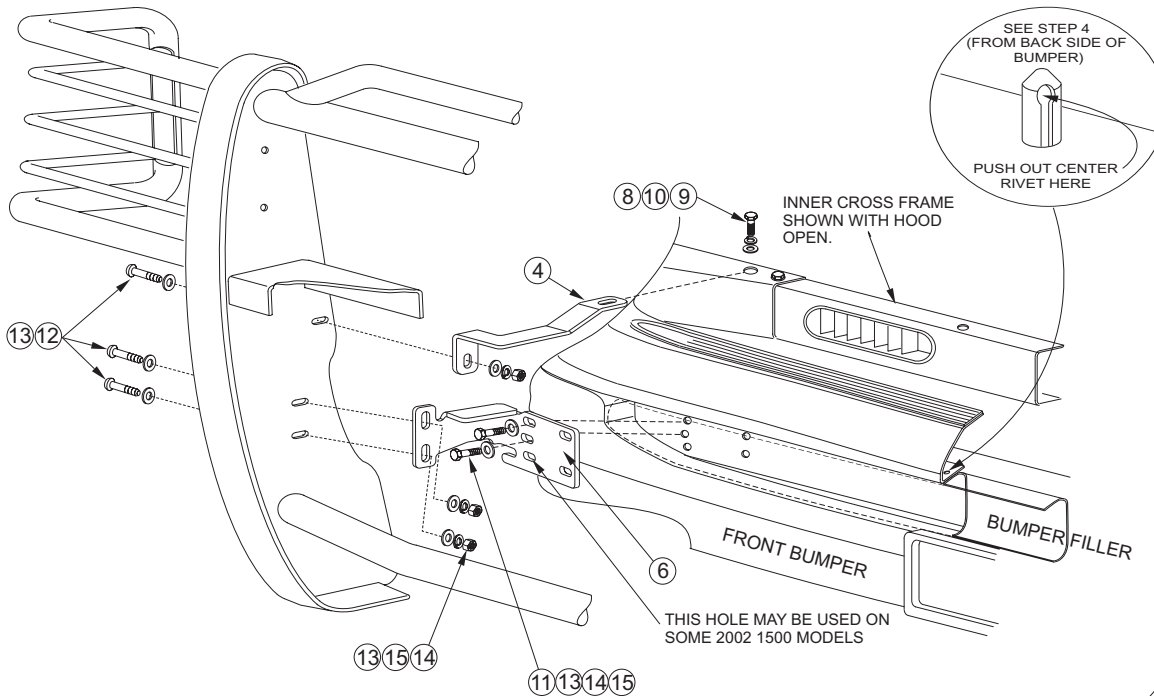


FIGURE 2
PASSENGER SIDE SHOWN,
DRIVER SIDE OPPOSITE
1500 MODEL

FIGURE 3
BOTTOM BRACKET INSTALLATION
2500/3500 MODEL

Finish protection - Westin products have a high quality finish that must be cared for like any other exposed finish on the vehicle. Protect the finish with a non-abrasive automotive wax (pure carnauba, for example) on a regular basis. The use of cleaner wax or any compound which contains an abrasive is detrimental, as the compounds scratch the finish and open it to corrosion.