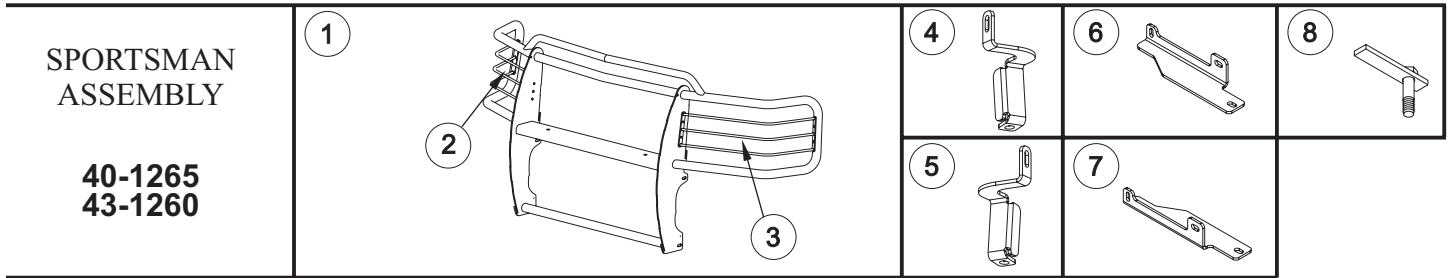




INSTALLATION INSTRUCTIONS

APPLICATION: 2003-UP GMC SIERRA 2500/3500HD

AUTOMOTIVE PRODUCTS, INC.



PARTS KIT CONTENTS

ITEM	QTY	DESCRIPTION	ITEM	QTY	DESCRIPTION
1	1	SPORTSMAN ASSEMBLY	13	2	M12-1.75 HEX NUT
2,3	2	LIGHT GUARD ASSEMBLY, PASSENGER (2) AND DRIVER (3)	14	4	3/8-16 X 1.25" HEX HEAD BOLT
4,5	2	TOP BRACKET, PASSENGER (4) AND DRIVER (5)	15	8	3/8" FLAT WASHER
6,7	2	BOTTOM BRACKET, PASSENGER (6) AND DRIVER (7)	16	4	3/8" LOCK WASHER
8	2	BOLT PLATE	17	4	3/8-16 HEX NUT
9	8	1/2" FLAT WASHER	18	2	15" REFLECTIVE TAPE (FOR CHROME ASSEMBLIES ONLY)
10	6	1/2" LOCK WASHER			NOTE: SOME FASTENERS MAY NOT BE USED.
11	2	1/2-13 HEX NUT			
12	2	M12-1.75 X 40MM HEX HEAD BOLT			

TOOLS REQUIRED

3/4" SOCKET	9/16" SOCKET	19MM SOCKET	18MM SOCKET	15MM SOCKET
10MM SOCKET	9/16" WRENCH	7/16" WRENCH	5/32" HEX WRENCH	PHILLIPS SCREWDRIVER
FLAT SCREWDRIVER	RATCHET	SOCKET EXTENSION	TORQUE WRENCH	

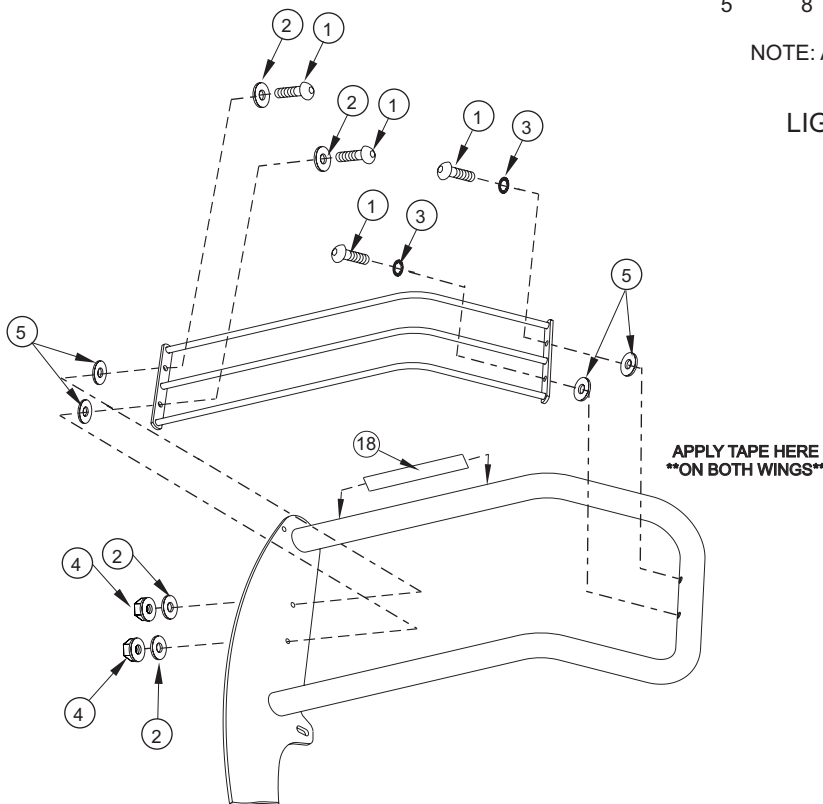
- STEP 1. Remove the contents from box and check for damage. Verify all parts are present. Read instructions completely before beginning.
- STEP 2. Attach light guard assemblies as shown. **SEE FIGURE 1.**
- STEP 3. Remove plastic shroud above grille by removing the seven pin retainers. Pull center pin up with small flat screwdriver. **SEE FIGURE 2.**
- STEP 4. Carefully remove grille from vehicle by removing the 6mm bolt from top of grille. Pull on outer edge of grille by applying firm pressure away from the fender. Repeat for other side and center section. **SEE FIGURE 2.**
- STEP 5. Remove both 12mm factory bumper bolts from top of frame (located behind top side of bumper). Attach top brackets with the 12mm factory bumper bolts as shown. Leave loose. **SEE FIGURE 3.**
- STEP 6. From underneath vehicle, locate and remove the tow hook bolts. Slide bolt plate in from the end of frame rail and allow bolt to drop through large hole closest to end of the frame. Attach bottom brackets to bolt plate using 1/2" fasteners as shown. Reinstall the factory tow hook bolt on the inside face of frame rail. On the outside face of the frame rail replace (and discard) the tow hook bolt with the 12mm fasteners supplied. **SEE FIGURE 3.** Vehicles without tow hooks, attach bottom brackets using the M12-1.75 x 40mm hex head bolt and fasteners provided. Leave loose.

- STEP 7. Raise the Sportsman up to the brackets and attach using 3/8" hardware and hand tighten. Adjust Sportsman to center of truck and torque all fasteners at the frame locations only to: 1/2" fasteners to 65 FT. LBS; 12mm fasteners to 60 FT. LBS.
- STEP 8. Remove Sportsman from brackets and re-install vehicle grille and plastic shroud in the opposite order of removal. Re-attach Sportsman to brackets and tighten the 3/8" bolts to 30 FT. LBS.
- STEP 9. For chrome assemblies only. If light glare is being experienced off the wings of the grille guard, anti reflective tape has been supplied to reduce glare. With headlights on, note where the reflection is concentrated on the wing. Clean the wing well with a non-abrasive cleaner (rubbing alcohol works the best.) Trim the anti-reflective tape to the appropriate size where the glare was located and apply tape. **SEE FIGURE 1.**

ITEM	QTY.	DESCRIPTION
1	8	1/4-20 X 1.00" BUTTON HEAD BOLT
2	8	1/4" FLAT WASHER
3	4	1/4" INTERNAL TOOTH LOCK WASHER
4	4	1/4-20 NYLON NUT
5	8	RUBBER WASHER

NOTE: ALL FASTENERS MAY NOT BE USED.

FIGURE 1
LIGHT GUARD INSTALLATION



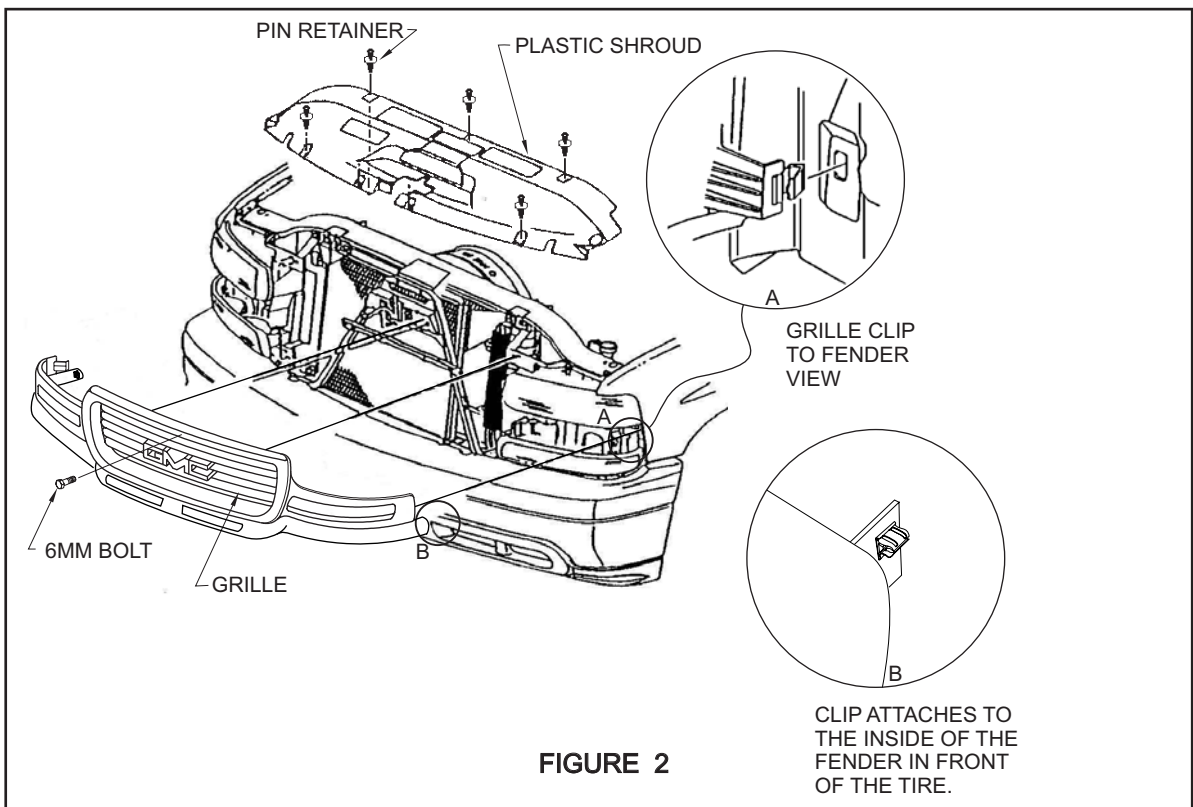


FIGURE 2

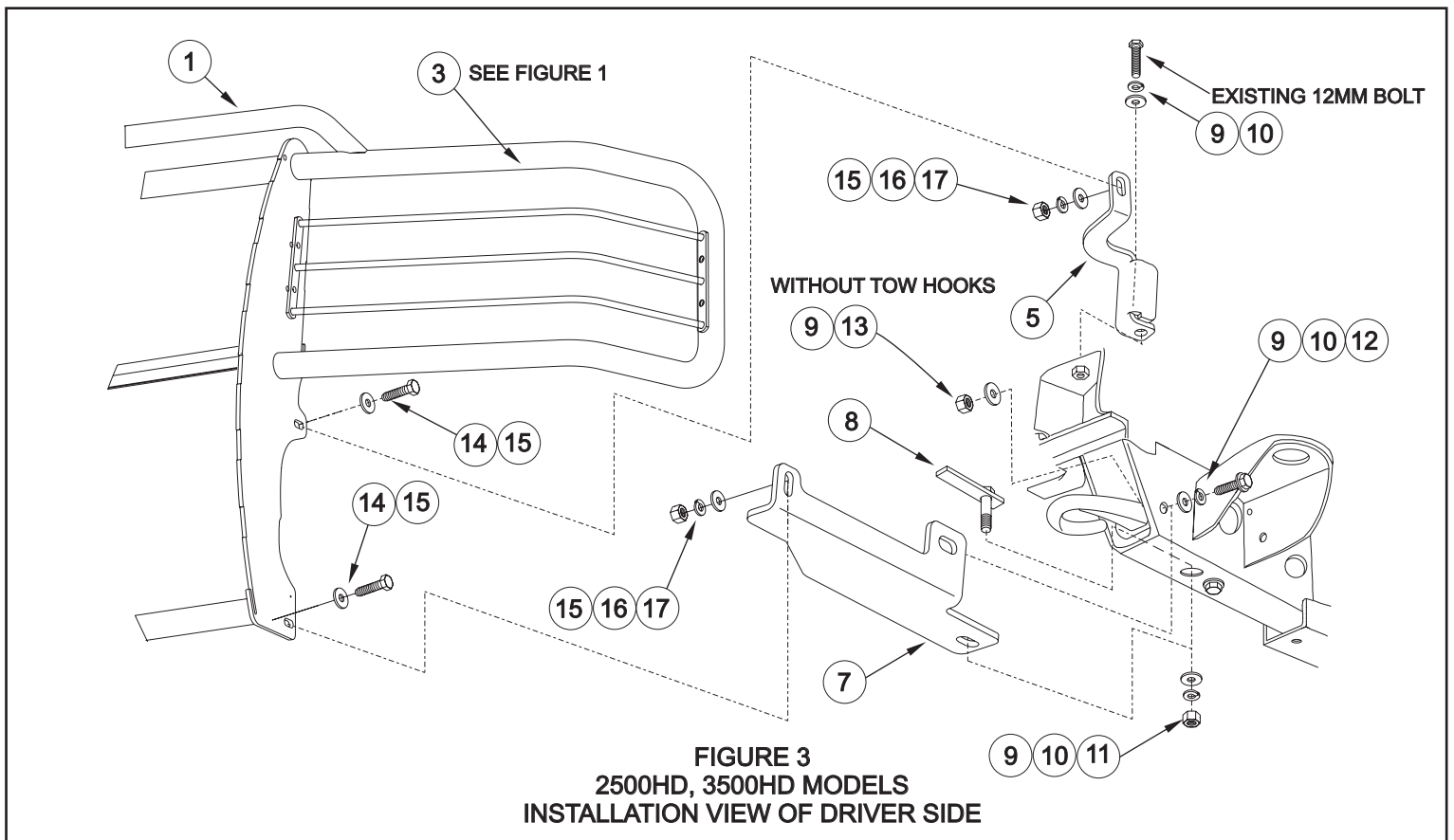


FIGURE 3
2500HD, 3500HD MODELS
INSTALLATION VIEW OF DRIVER SIDE

Finish protection - Westin products have a high quality finish that must be cared for like any other exposed finish on the vehicle. Protect the finish with a non-abrasive automotive wax (pure carnauba, for example) on a regular basis. The use of cleaner wax or any compound which contains an abrasive is detrimental, as the compounds scratch the finish and open it to corrosion.