



# INSTALLATION INSTRUCTIONS

APPLICATION: 2002 FORD EXPLORER 4 DOOR

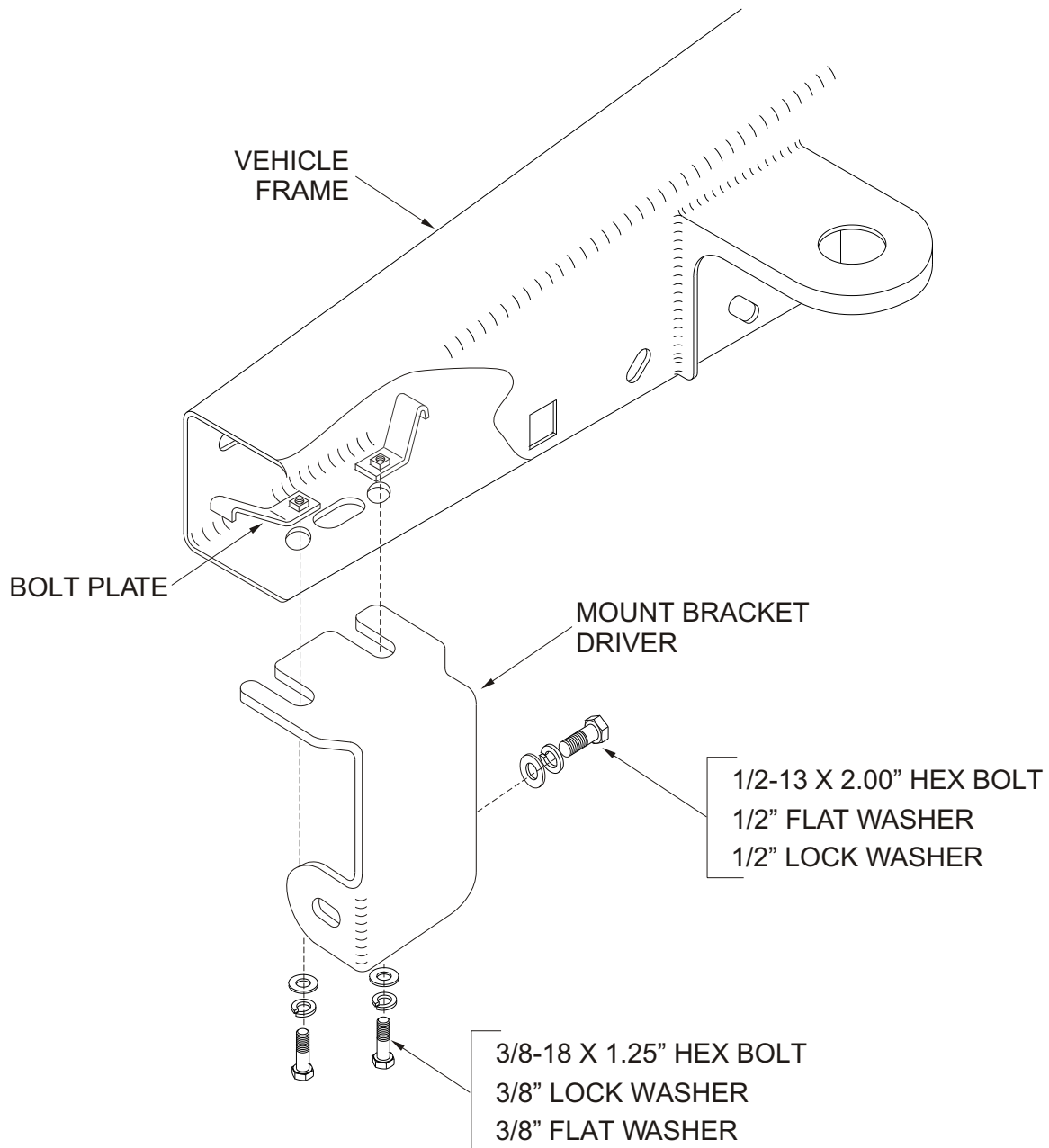
**AUTOMOTIVE PRODUCTS, INC.**

SAFARI BAR ASSEMBLY  <b>30-0020</b> <b>30-0025</b>  MOUNT KIT  <b>30-1185</b>	
--	--

QTY	PARTS KIT CONTENTS DESCRIPTION	TOOLS REQUIRED
1	SAFARI BAR ASSEMBLY (PURCHASED SEPARATELY)	3/4" SOCKET 9/16" SOCKET SOCKET EXTENSION RATCHET TORQUE WRENCH
1	MOUNT BRACKET - PASSENGER SIDE	
1	MOUNT BRACKET - DRIVER SIDE	
2	1/2 -13 X 2.00" HEX HEAD BOLT	
2	1/2" FLAT WASHER	
2	1/2" HELICAL SPLIT LOCK WASHER	
6	3/8-16 X 1.25 HEX HEAD BOLT	
12	3/8" SAE FLAT WASHER	
6	3/8" HELICAL SPLIT LOCK WASHER	
4	3/8" NUT PLATE	
6	3/8" HEX NUT	
	<b>NOTE:</b> SOME FASTENERS MAY NOT BE USED. FASTENERS ARE CONTAINED IN BOLT KITS 60-1156 AND 60-1220.	

- STEP 1. Remove the contents from the box and check for any damage. Verify all parts against parts list.
- STEP 2. Read and understand instructions completely before beginning installation.
- STEP 3. Determine driver and passenger side brackets. Locate the oblong and two round holes just below the body mount on the bottom side of frame.
- STEP 4. Insert one bolt plate through the oblong hole in bottom of frame on passenger side. Position it over one of the round holes. Start the 3/8" bolt, flat washer and lock washer into the bolt plate. Repeat for the remaining round hole. See Figure 1.
- STEP 5. Slide bracket on to the two 3/8" bolts. Make sure the washers are to the outside of brackets and not against the frame. Lightly snug up the two 3/8" bolts.
- STEP 6. Repeat steps 4 and 5 for the driver side of vehicle.
- STEP 7. Mount Safari Bar to brackets using (2) 1/2-13 x 2.00" hex head bolts, (2) 1/2" lock washer, (2) 1/2" flat washers. Leave loose.

STEP 8. Center and level Safari Bar. Tighten and torque 1/2" fasteners to 65 FT. LBS and 3/8" fasteners to 30 FT. LBS.



DRIVER SIDE INSTALLATION SHOWN, PASSENGER SIDE OPPOSITE

Finish protection - Westin products have a high quality finish that must be cared for like any other exposed finish on the vehicle. Protect the finish with a non-abrasive automotive wax (pure carnauba, for example) on a regular basis. The use of cleaner wax or any compound which contains an abrasive is detrimental, as the compounds scratch the finish and open it to corrosion.



Westin Automotive Products, Inc.  
5200 N. Irwindale Ave. Suite 220  
Irwindale, Ca. 91706

Thank You for choosing Westin products  
For additional installation assistance please call  
Customer service (800) 793-7846 or (507) 375-3559