



INSTALLATION INSTRUCTIONS

APPLICATION: 2000-2003 ISUZU TROOPER

AUTOMOTIVE PRODUCTS, INC.

<p>SAFARI BAR ASSEMBLY</p> <p>30-0020 30-0025</p> <p>MOUNT KIT:</p> <p>30-1175</p>	
---	--

QTY	PARTS KIT CONTENTS DESCRIPTION	TOOLS REQUIRED
1	SAFARI BAR ASSEMBLY (PURCHASED SEPARATELY)	3/4" SOCKET 9/16" SOCKET 9/16" WRENCH 17MM SOCKET 14MM SOCKET 3" EXTENSION RATCHET TORQUE WRENCH
1	MOUNT BRACKET - DRIVER SIDE	
1	MOUNT BRACKET - PASSENGER SIDE	
2	MOUNT BRACE	
2	3/8-16 X 3.50" HEX HEAD BOLT	
2	3/8-16 X 1.25" HEX HEAD BOLT	
8	3/8-16 FLAT WASHER	
4	3/8" LOCK WASHER	
2	1/2-13 X 2.00" HEX HEAD BOLT	
4	M10-1.25 X 25MM HEX HEAD BOLT	
2	1/2" FLAT WASHER	
4	10MM FLAT WASHER	
2	1/2" LOCK WASHER	
4	10MM LOCK WASHER	
4	3/8-16 HEX NUT	

STEP 1. Remove the contents from the box and check for any damage. Verify all parts against the parts list.

STEP 2. Read and understand instructions completely before beginning installation.

STEP 3. Determine driver and passenger mount brackets.

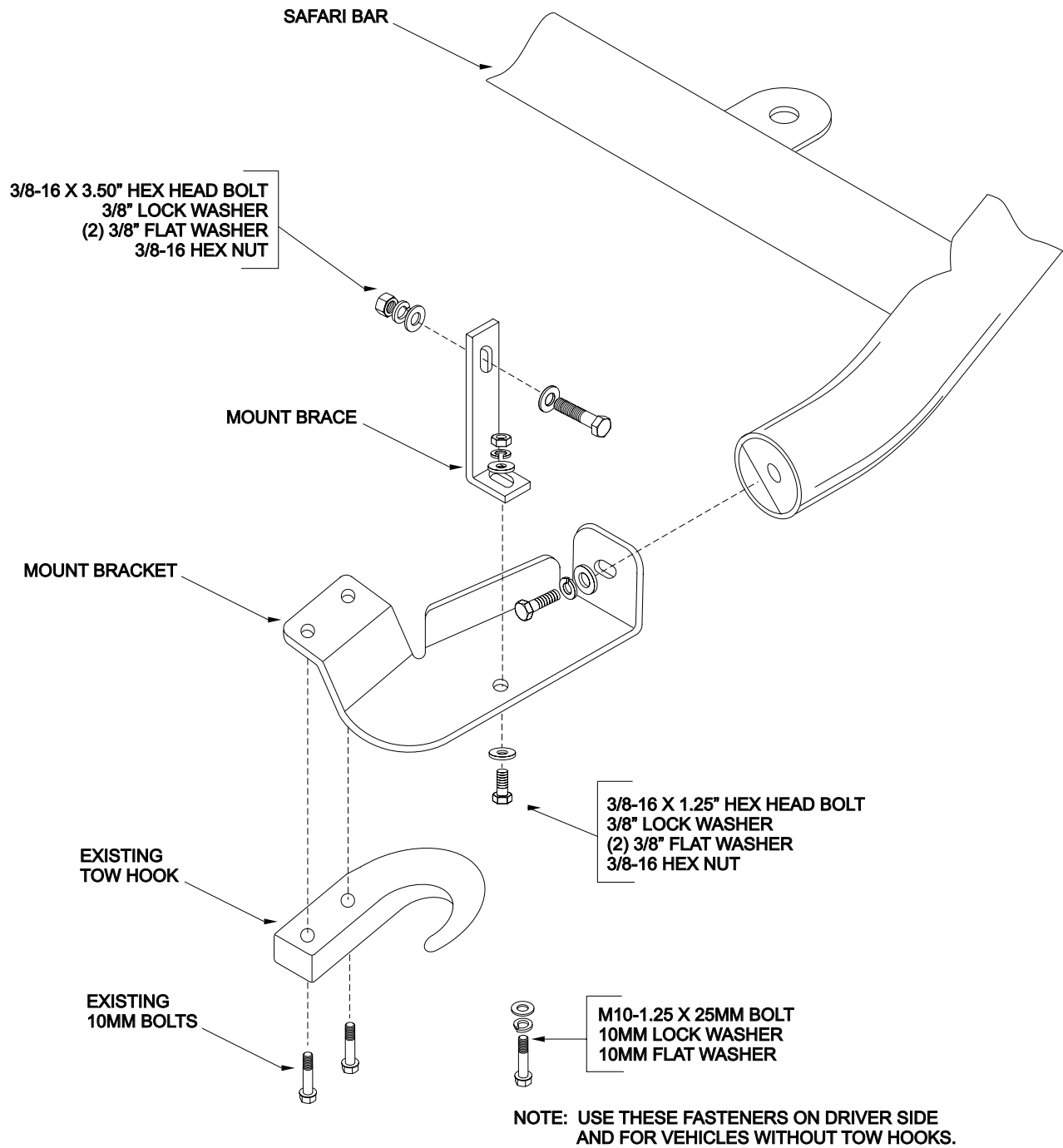
STEP 4. Remove tow hook from passenger side. Position passenger mount bracket to bottom side of frame and reinstall tow hook below mount bracket using existing 10MM fasteners. For vehicles without tow hook, fasten to frame using (2) M10-1.25 x 25MM bolt, (2) 10MM lock washer and (2) 10MM flat washer. Leave loose.

STEP 5. Fasten mount brace to outside of frame rail so that the short leg lines up with hole in mount bracket. Use (1) 3/8-16 x 3.50" hex head bolt, (1) 3/8" lock washer (2) 3/8" flat washer and (1) 3/8-16 hex nut to fasten long leg to frame, use (1) 3/8-16 x 1.25" hex head bolt (1) 3/8" lock washer, (2) 3/8" flat washer and (1) 3/8-16 hex nut to fasten short leg to mount bracket.

STEP 6. Repeat step 4 and 5 for opposite side.

STEP 7. Attach Safari Bar to mount brackets using 1/2" hardware. Leave loose.

STEP 8. Center and level Safari Bar. Tighten and torque fasteners as follows: 10MM fasteners to 36 FT. LBS; 3/8" fasteners to 31 FT. LBS; 1/2" fasteners to 65 FT. LBS and factory 10MM fasteners to 52 FT. LBS.



INSTALLATION FOR PASSENGER SIDE

Finish protection - Westin products have a high quality finish that must be cared for like any other exposed finish on the vehicle. Protect the finish with a non-abrasive automotive wax (pure carnauba, for example) on a regular basis. The use of cleaner wax or any compound which contains an abrasive is detrimental, as the compounds scratch the finish and open it to corrosion.



Westin Automotive Products, Inc.
5200 N. Irwindale Ave. Suite 220
Irwindale, Ca. 91706

Thank You for choosing Westin products
For additional installation assistance please call
Customer service (800) 793-7846 or (507) 375-3559