



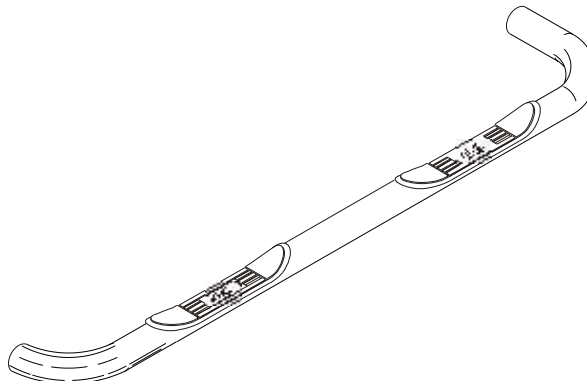
# INSTALLATION INSTRUCTIONS

APPLICATION: 2001-UP CHEVROLET S- SERIES CREW CAB

## AUTOMOTIVE PRODUCTS, INC.

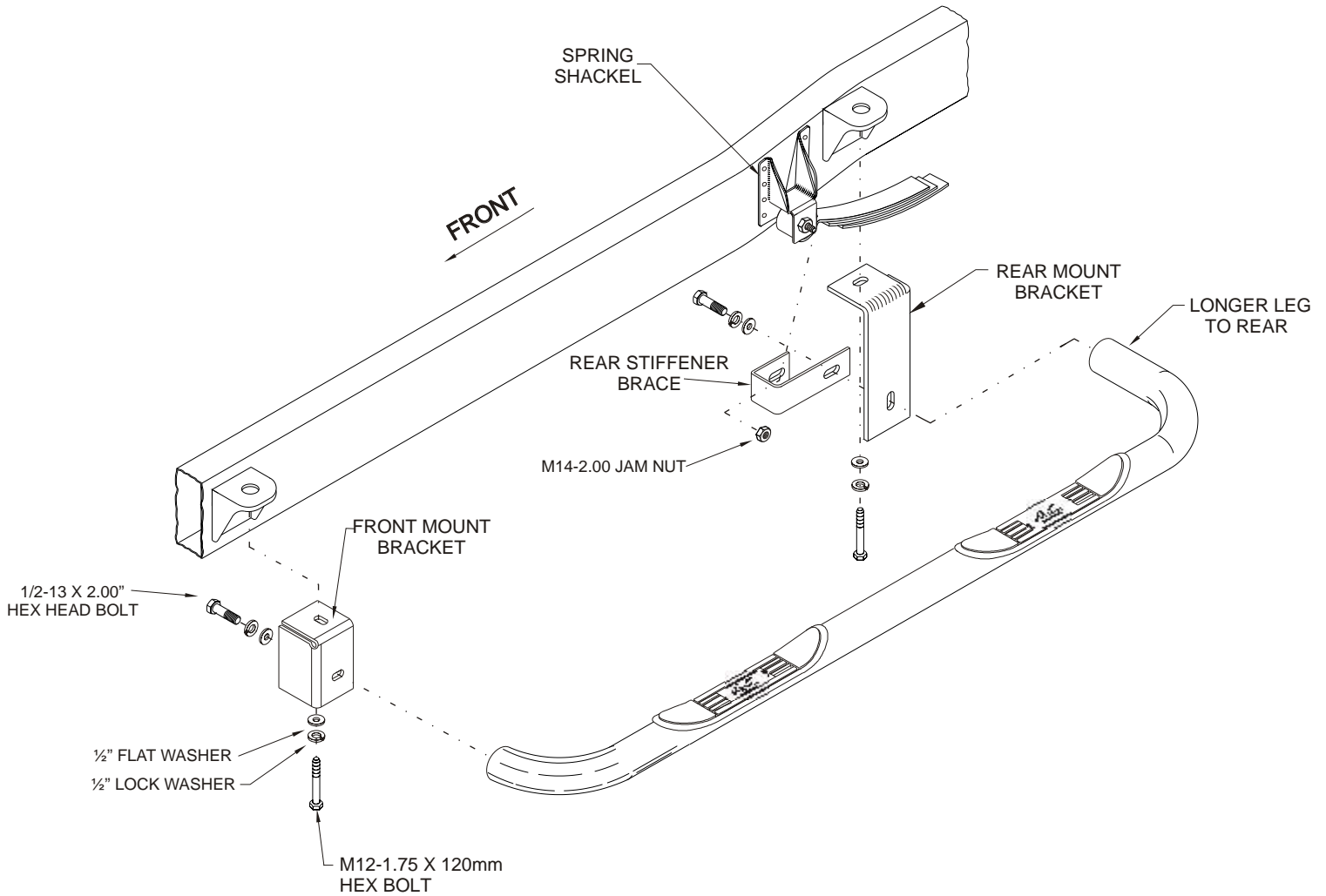
### STEP BAR ASSEMBLY

25-2020  
25-2025  
26-2020  
26-2025



QTY	PARTS KIT CONTENTS DESCRIPTION	TOOLS REQUIRED
1	STEP BAR TUBE, PASSENGER SIDE	3/4" SOCKET
1	STEP BAR TUBE, DRIVER SIDE	15MM SOCKET
2	FRONT MOUNT BRACKET	18MM SOCKET
2	REAR MOUNT BRACKET	19MM SOCKET
2	REAR STIFFENER BRACE	21MM WRENCH
4	1/2-13 X 2.00" HEX HEAD BOLT	22MM WRENCH
4	M12-1.75 X 120MM HEX HEAD BOLT	RATCHET
8	1/2" LOCK WASHER	TORQUE WRENCH
8	1/2" FLAT WASHER	
2	M14-2.00 HEX CENTER LOCK JAM NUT	

- STEP 1. Remove the contents from the box and check for any damage. Verify all parts against the parts list.
- STEP 2. Read and understand instructions completely before beginning installation.
- STEP 3. Remove Driver Side front and rear body mount bolts located under cab of truck. Install Front and Rear Mount Brackets using (1) M12-1.75 X 120MM Hex Bolt, (1) 1/2" Flat Washer, and (1) 1/2" Lock Washer. Leave Loose. (Be sure to keep existing washer and rubber bushing in place.)
- STEP 4. Leave existing Rear Leaf Spring Shackle Nut in place. Attach Rear Stiffener Bracket to Shackle Bolt using (1) 14MM Hex Center Lock Jam Nut. Leave loose. NOTE: If Jam nut is removed at a later date, it is no longer affective as a lock nut and must be replaced at that time.
- STEP 5. Attach Step Bar tube to brackets using the 1/2" fasteners as shown. Align the Step Bar with the vehicle body then tighten and torque fasteners to: M12. . .65 Ft/Lbs; 1/2" . . .65 Ft. Lbs; and M14...90 Ft. Lbs. Repeat for passenger side.



**FIGURE 1**  
DRIVER SIDE SHOWN-PASSENGER OPPOSITE

Finish protection - Westin products have a high quality finish that must be cared for like any other exposed finish on the vehicle. Protect the finish with a non-abrasive automotive wax (pure carnauba, for example) on a regular basis. The use of cleaner wax or any compound which contains an abrasive is detrimental, as the compounds scratch the finish and open it to corrosion.



Westin Automotive Products, Inc.  
5200 N. Irwindale Ave. Suite 220  
Irwindale, Ca. 91706

Thank You for choosing Westin products  
For additional installation assistance please call  
Customer service (800) 793- 7846 or (507) 375-3559