



INSTALLATION INSTRUCTIONS

APPLICATION: 2001 FORD RANGER
2001 MAZDA B-SERIES PICK-UP

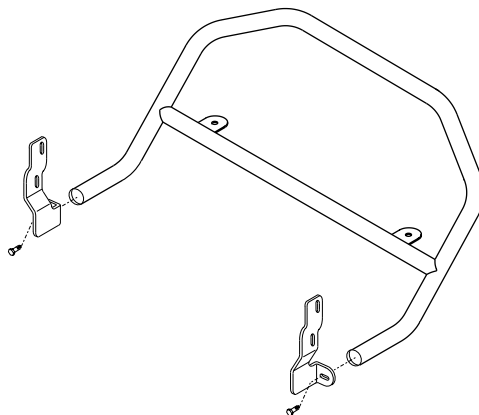
AUTOMOTIVE PRODUCTS, INC.

SAFARI BAR
ASSEMBLY:

30-0020
30-0025

MOUNT KIT:

30-1165



QTY	PARTS KIT CONTENTS DESCRIPTION	TOOLS REQUIRED
2	MOUNT BRACKET, PASSENGER/ DRIVER	10MM SOCKET
2	SUPPORT BRACKET, PASSENGER/ DRIVER	1/2" SOCKET
2	BACKING PLATE	9/16" WRENCH
2	1/2-13 X 4.00" HEX HEAD BOLT	9/16" SOCKET
2	1/2-13 X 2.00" HEX HEAD BOLT	3/4" WRENCH
2	3/8-16 X 1.25" HEX HEAD BOLT	3/4" SOCKET
4	5/16-18 X 1.00" SELF TAPPING BOLT	TORQUE WRENCH
6	1/2" FLAT WASHER	RATCHET
4	1/2" LOCK WASHER	RATCHET EXTENSION
2	1/2-13 HEX NUT	
4	3/8" FLAT WASHER	
2	3/8" LOCK WASHER	
2	3/8" HEX NUT	

- STEP 1. Remove the contents from the box and check for any damage. Verify all parts against parts list.
- STEP 2. Read and understand instructions completely before beginning installation.
- STEP 3. Install Mount Brackets on the outside face of frame members with 1/2-13 x 4.00" Hex Head Bolts. Secure with Backing Plates and 1/2" fasteners. See Figure 2. Leave loose.
- STEP 4. Install Support Brackets using holes in bottom face of vehicle frame. See Figure 1. Some vehicles have a plastic shroud mounted to bottom of frame. Remove bolts with 10MM socket. Remove "push type" fastener from shroud. Place support brace against bottom of frame, reinstall plastic shroud with factory bolts. Replace push type connector with 5/16" Self Tap Bolt. Leave loose.
- STEP 5. Secure Support Bracket to Mount Bracket using 3/8" fasteners. See Figure 1.
- STEP 6. Mount Safari Bar using 1/2" fasteners. See Figure 1-3.
- STEP 7. Center and level Safari Bar. Tighten and torque fasteners as follows: 5/16" and 8MM to 15FT. LBS.
3/8" to 35 FT. LBS.
1/2" to 65 FT. LBS.

FIGURE 1
EXPLORER SPORT & RANGER
DRIVER SIDE SHOWN

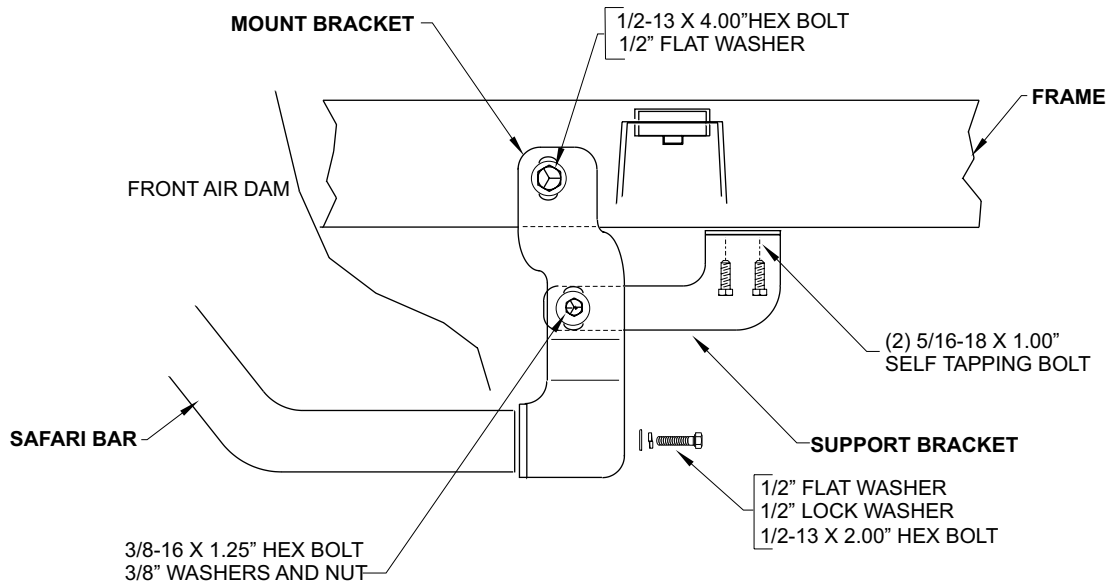


FIGURE 2
DRIVER SIDE SHOWN

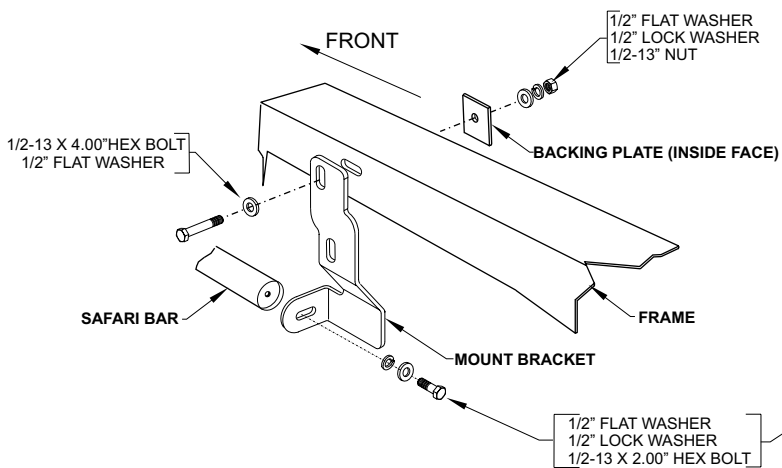
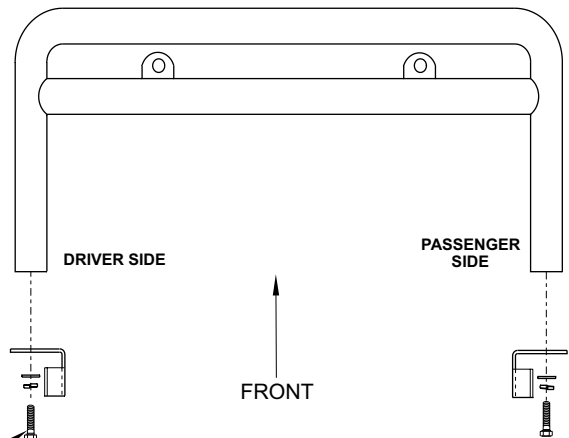


FIGURE 3
TOP VIEW



Finish protection - Westin products have a high quality finish that must be cared for like a other exposed finish on the vehicle. Protect the finish with a non-abrasive automotive w (pure carnauba, for example) on a regular basis. The use of cleaner wax or any compound whi contains an abrasive is detrimental, as the compounds scratch the finish and open it to corrosio



Westin Automotive Products, Inc.
5200 N. Irwindale Ave. Suite 220
Irwindale, Ca. 91706

Thank You for choosing Westin products
For additional installation assistance please call
Customer service (800) 793-7846 or (507) 375-3559