



# INSTALLATION INSTRUCTIONS

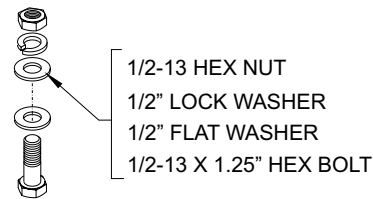
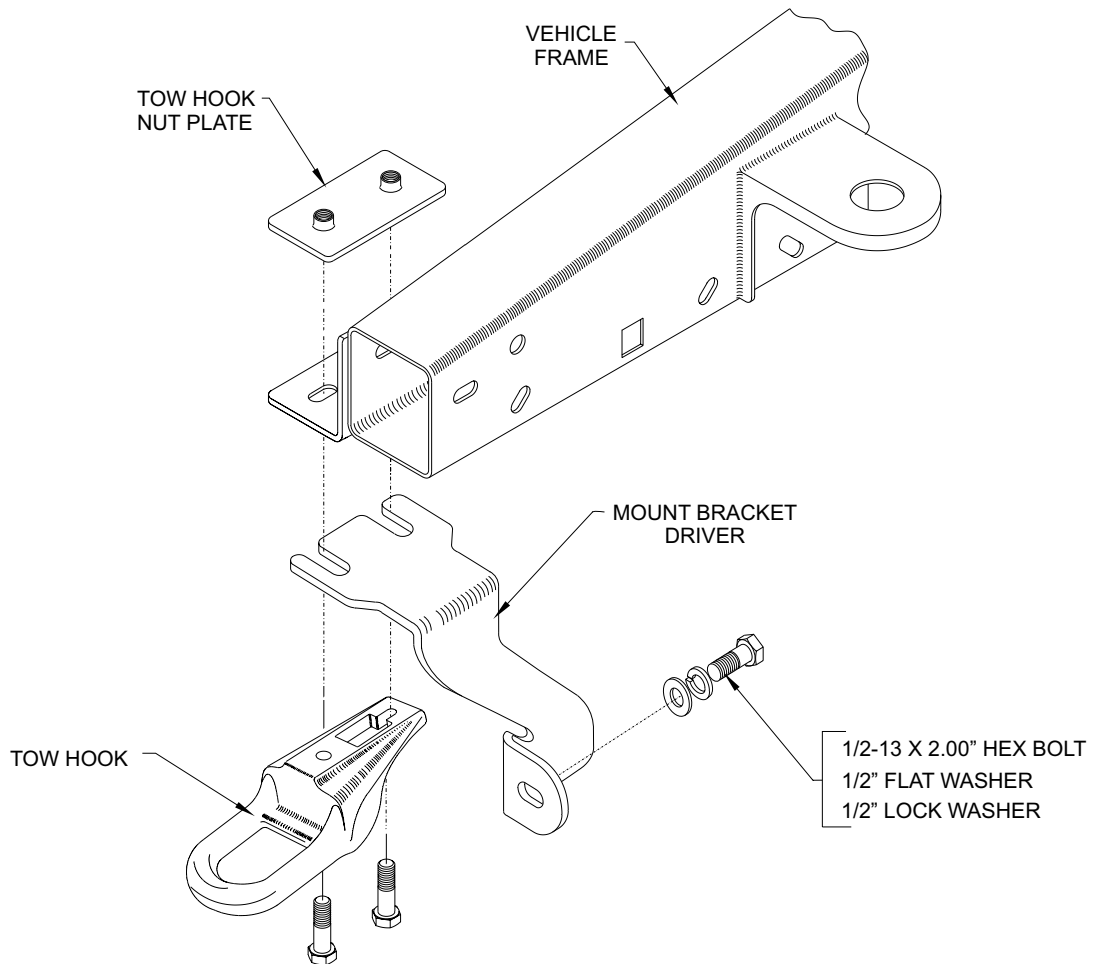
APPLICATION: 2001 FORD EXPLORER SPORT 2DR 2/4WD  
2001 FORD EXPLORER SPORT TRAC 4DR 2/4WD

**AUTOMOTIVE PRODUCTS, INC.**

|  |  |
|--|--|
| SAFARI BAR ASSEMBLY<br><br><b>30-0000</b><br><b>30-0005</b><br><br>MOUNT KIT<br><br><b>30-1145</b> |  |
|--|--|

| QTY | PARTS KIT CONTENTS DESCRIPTION             | TOOLS REQUIRED  |
|-----|--|---|
| 1   | SAFARI BAR ASSEMBLY (PURCHASED SEPARATELY) | 3/4" SOCKET<br>8MM SOCKET<br>10MM SOCKET<br>15MM SOCKET<br>RATCHET<br>TORQUE WRENCH |
| 1   | MOUNT BRACKET - PASSENGER SIDE             |   |
| 1   | MOUNT BRACKET - DRIVER SIDE                |   |
| 2   | 1/2 -13 X 2.00" HEX HEAD BOLT              |   |
| 6   | 1/2-13 X 1.25" HEX HEAD BOLT               |   |
| 8   | 1/2" HELICAL SPLIT LOCK WASHER             |   |
| 14  | 1/2" SAE FLAT WASHER                       |   |
| 6   | 1/2-13 HEX NUT                             |   |
|     | NOTE: SOME FASTENERS MAY NOT BE USED.      |   |

- STEP 1. Remove the contents from the box and check for any damage. Verify all parts against parts list.
- STEP 2. Read and understand instructions completely before beginning installation.
- STEP 3. Remove (4) 8mm bolts and (3) 6mm bolts that secures the lower shroud cover located behind the bumper.
- STEP 4. Loosen front and rear tow hook bolts.  
**NOTE:** Vehicles without tow hooks. Attach mounting brackets to frame using (2) 1/2-13 x 1.25" Hex Head Bolts, (4) 1/2" Flat Washers, (2) 1/2" Lock Washers and (2) 1/2" Hex Nuts. Install bolts through existing holes in L Bracket on the side of the frame. See Figure 1. Repeat for opposite side.
- STEP 5. Install driver side bracket. Insert bracket between tow hook and vehicle frame. Leave loose. Repeat for passenger side.
- STEP 6. Mount Safari Bar using (2) 1/2-13 x 2.00" Hex Head Bolts, (2) 1/2" Lock Washers and (2) 1/2" Flat Washers. Leave loose.
- STEP 7. Center and level Safari Bar. Tighten and torque 1/2" fasteners to 65 FT. LBS and 15mm fasteners to 75 FT. LBS.
- STEP 8. Reinstall lower shroud cover. Tighten and torque 8mm fasteners to 35 FT. LBS. And 6mm Fasteners to 18 FT. LBS.



NOTE: USE THESE FASTENERS ON VEHICLES WITHOUT TOW HOOKS (INCLUDED IN BOLT KIT)

Finish protection - Westin products have a high quality finish that must be cared for like any other exposed finish on the vehicle. Protect the finish with a non-abrasive automotive wax (pure carnauba, for example) on a regular basis. The use of cleaner wax or any compound which contains an abrasive is detrimental, as the compounds scratch the finish and open it to corrosion.



Westin Automotive Products, Inc.  
5200 N. Irwindale Ave. Suite 220  
Irwindale, Ca. 91706

Thank You for choosing Westin products  
For additional installation assistance please call  
Customer service (800) 793-7846 or (507) 375-3559