



# INSTALLATION INSTRUCTIONS

APPLICATION: 1997-98 CHEVROLET TRACKER AND  
SUZUKI SIDEKICK

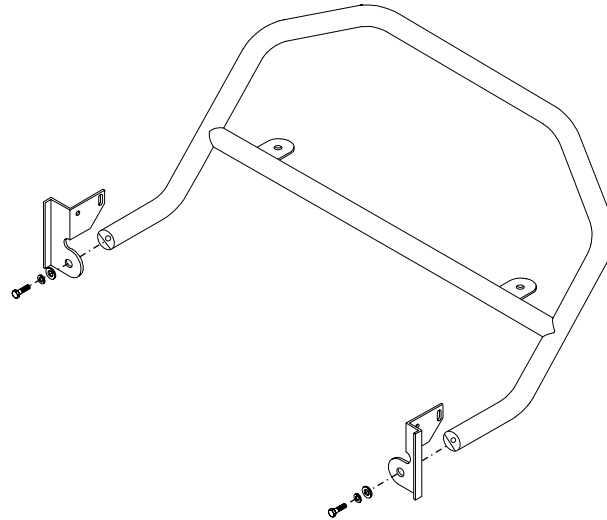
**AUTOMOTIVE PRODUCTS, INC.**

SAFARI BAR  
ASSEMBLY

**30-0000**  
**30-0005**

MOUNT KIT:

**30-1025**



QTY	PARTS KIT CONTENTS		TOOLS REQUIRED
	DESCRIPTION		
1	SAFARI BAR ASSEMBLY (PURCHASED SEPARATELY)		9/16" SOCKET
1	MOUNT BRACKET, PASSENGER SIDE		12MM SOCKET
1	MOUNT BRACKET, DRIVER SIDE		9/16" WRENCH
2	1/2-13 x 2.00" HEX HEAD BOLT		3/4" SOCKET
2	1/2" FLAT WASHER		TORQUE WRENCH
2	1/2" LOCK WASHER		RATCHET
2	3/8-16 X 1.00" HEX HEAD BOLT		
4	3/8" FLAT WASHER		
2	3/8" LOCK WASHER		
2	3/8-16 X HEX NUT		

STEP 1. Remove the contents from the box and check for any damage. Verify all parts against the parts list.

STEP 2. Read and understand instructions completely before beginning installation.

STEP 3. Remove factory 8MM Bolt using 12MM Socket. **See Figure 1.**

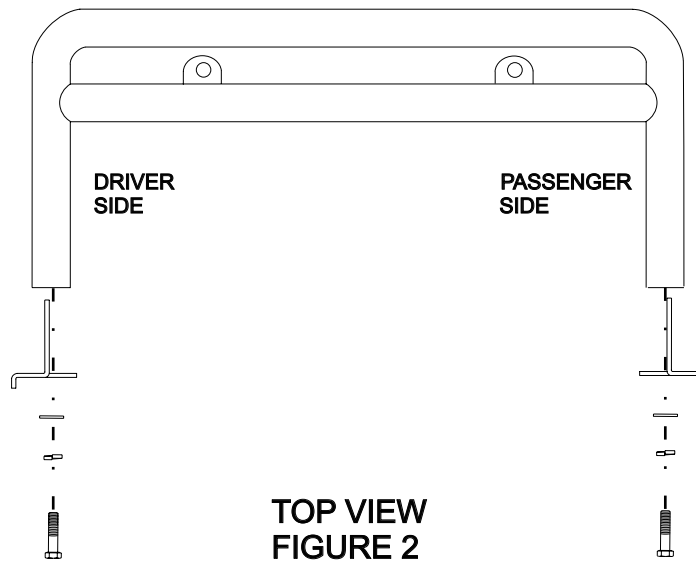
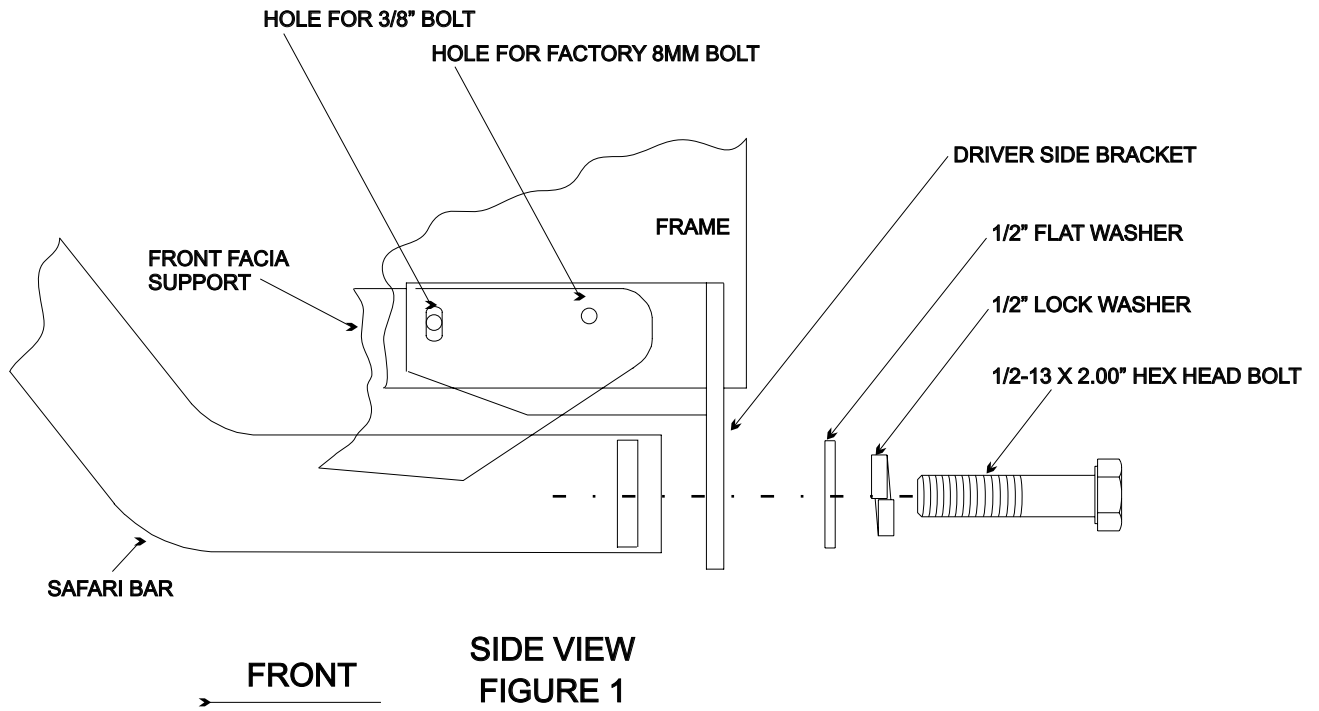
STEP 4. Install brackets between frame and front fascia support. Replace factory bolts. Leave loose. **See Figure 1.**

STEP 5. Align slot in front of Bracket with hole in front fascia support and fasten using 3/8" fasteners. Leave loose. **See**

**Figure 1.**

STEP 6. Mount Safari Bar using 1/2" fasteners.

STEP 7. Center and level Safari Bar. Tighten and torque 8MM fasteners to 15 FT. LBS., 3/8" fasteners to 30 FT. LBS., 1/2"



Finish protection - Westin products have a high quality finish that must be cared for like any other exposed finish on the vehicle. Protect the finish with a non-abrasive automotive wax (pure carnauba, for example) on a regular basis. The use of cleaner wax or any compound which contains an abrasive is detrimental, as the compounds scratch the finish and open it to corrosion.



Westin Automotive Products, Inc.  
5200 N. Irwindale Ave. Suite 220  
Irwindale, Ca. 91706

Thank You for choosing Westin products  
For additional installation assistance please call  
Customer service (800) 793-7846 or (507)-375-3559