



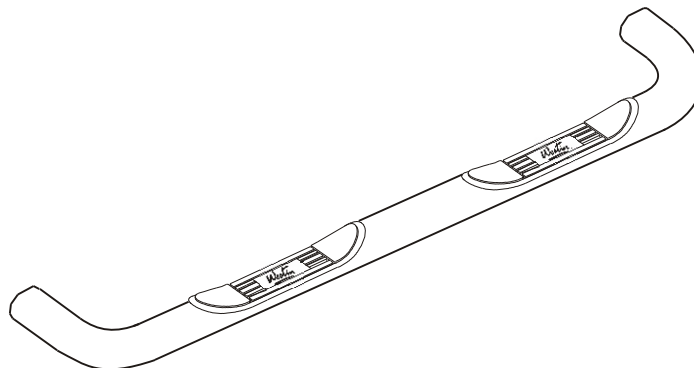
# INSTALLATION INSTRUCTIONS

APPLICATION: 1992-99 GM SUBURBAN - 1/2 TON (4X4)  
 1992-99 GM SUBURBAN - 1/4 TON (4X2)  
 1992-99 GM SUBURBAN - 3/4 TON (4X2)

## AUTOMOTIVE PRODUCTS, INC.

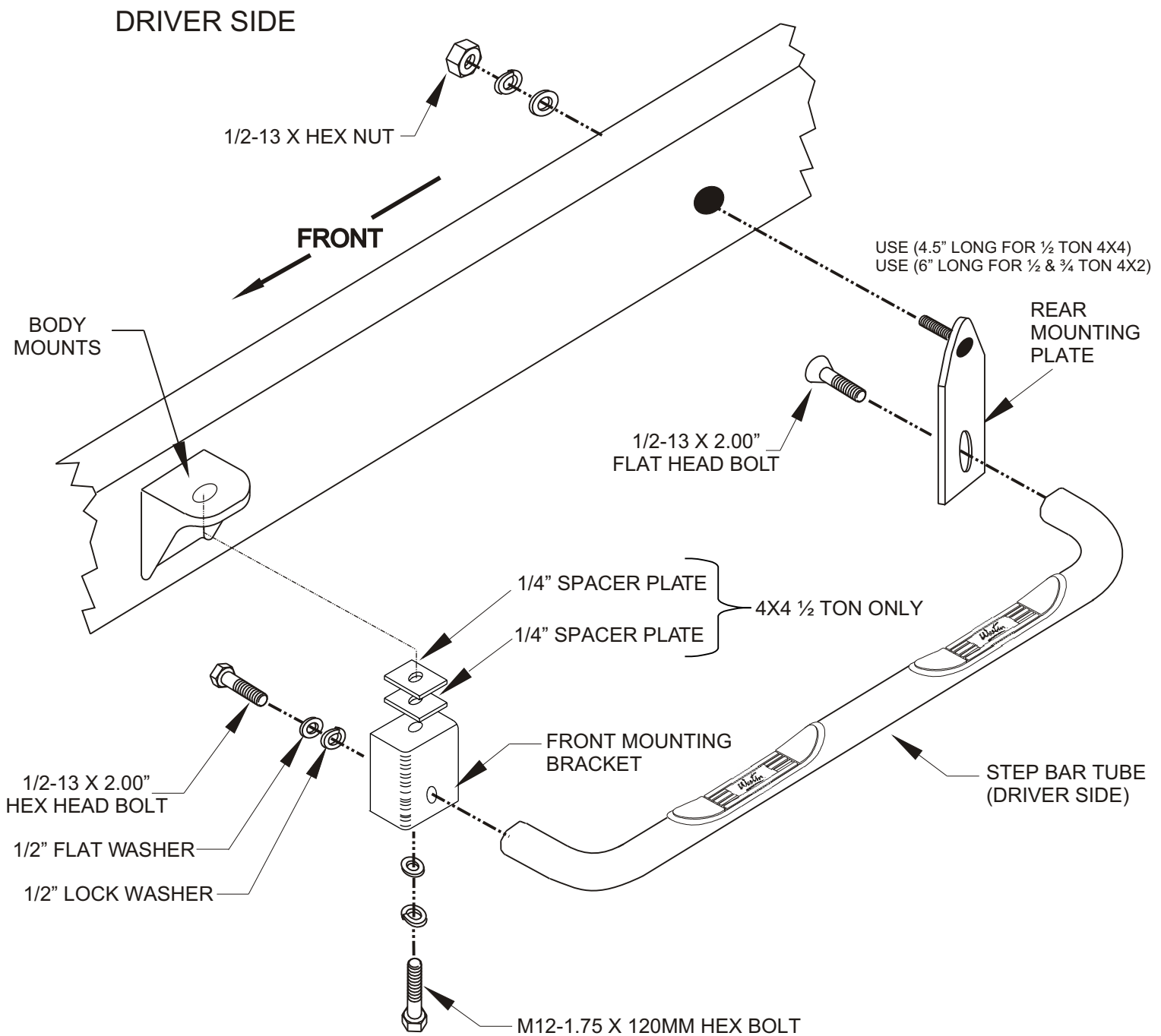
STEP BAR  
ASSEMBLIES

25-0640  
 25-0645  
 26-0640  
 26-0645



QTY	PARTS KIT CONTENTS DESCRIPTION	TOOLS REQUIRED
2	STEP BAR - PASSENGER, DRIVER SIDE	17MM SOCKET
2	FRONT MOUNT BRACKET - PASSENGER, DRIVER SIDE	17MM COMBINATION WRENCH
2	REAR MOUNT PLATE 1/2 TON (4X4) - PASSENGER, DRIVER SIDE	3/4" SOCKET
2	REAR MOUNT PLATE 1/2 & 3/4 TON (4X2) - PASSENGER, DRIVER SIDE	3/4" COMBINATION WRENCH
2	1/2-13 X 2.00" LG. HEX HEAD BOLT, GRADE 5, ZINC PLATED	5/16" ALLEN WRENCH
2	1/2-13 X 2.00" LG. FLAT HEAD BOLT, GRADE 5, ZINC PLATED	TORQUE WRENCH
2	M12 - 1.75 X 120 MM LG. HEX HEAD BOLT, GRADE 5, ZINC PLATED	RATCHET
2	1/2-13 HEX HEAD NUT, ZINC PLATED	
6	1/2" LOCK WASHER, ZINC PLATED	
6	1/2" FLAT WASHER, ZINC PLATED	
4	1/2" SPACER PLATES	

- STEP 1. Remove the contents from the box and check for any damage. Verify all parts against parts list.
- STEP 2. Read and understand instructions completely before beginning installation.
- STEP 3. Bolt Mounting Brackets to Step Bar Tubes with 1/2-13 Bolts provided at the correct location for your vehicle.
- STEP 4. Remove the body mount bolts from mounts located under cab of truck. Position Step Bar Assembly up to the front body mounts and install the rear mounting bolts through slot in frame as shown. Mount Front Mount Bracket to body mount using metric bolts provided. **NOTE:** Place (2) 1/4" Spacer Plates between Front Bracket and body mount on 1/2 Ton 4x4 Models only. Mount Rear Mount Plate using nuts and washers as shown.
- STEP 5. Check to be sure Step Bar is properly aligned with truck. Tighten and torque all Mounting Bracket Bolts to 75 FT. LBS.



### ASSEMBLY AND INSTALLATION VIEW OF DRIVER SIDE - PASSENGER SIDE OPPOSITE

Finish protection - Westin products have a high quality finish that must be cared for like any other exposed finish on the vehicle. Protect the finish with a non-abrasive automotive wax (pure carnauba, for example) on a regular basis. The use of cleaner wax or any compound which contains an abrasive is detrimental, as the compounds scratch the finish and open it to corrosion.



Westin Automotive Products, Inc.  
5200 N. Irwindale Ave Suite 220  
Irwindale, Ca. 91706

Thank You for choosing Westin products  
For additional installation assistance please call  
Customer service (800) 793-7846 or (507) 375-3559