



INSTALLATION INSTRUCTIONS

APPLICATION: BRUSH GUARD WING ASSEMBLIES

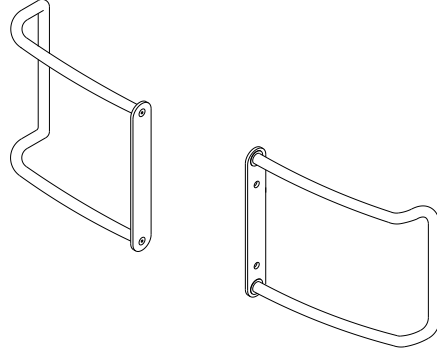
AUTOMOTIVE PRODUCTS, INC.

BRUSH GUARD
ASSEMBLIES

36-1165

36-1175

36-1185



QTY	PARTS KIT CONTENTS DESCRIPTION	TOOLS REQUIRED
2	WING ASSEMBLY	3/4" SOCKET
4	1/2-13 X 1.25" HEX HEAD BOLT	3/4" WRENCH
8	1/2" X .875 OD FLAT WASHER	RATCHET
4	1/2-13 NYLON INSERT LOCK NUT	TORQUE WRENCH

- STEP 1. Remove the contents from the box and check for any damage. Verify all parts against the parts list.
- STEP 2. Read and understand instructions completely before beginning installation.
- STEP 3. Determine passenger and driver wing assemblies.
- STEP 4. Position wing assembly to push bar side plate with wing following the grille contour. Attach using 1/2" fasteners as shown. **SEE FIGURE 1.**
- STEP 5. Repeat for opposite side.
- STEP 6. Tighten and torque 1/2" fasteners to 65 FT.LBS.

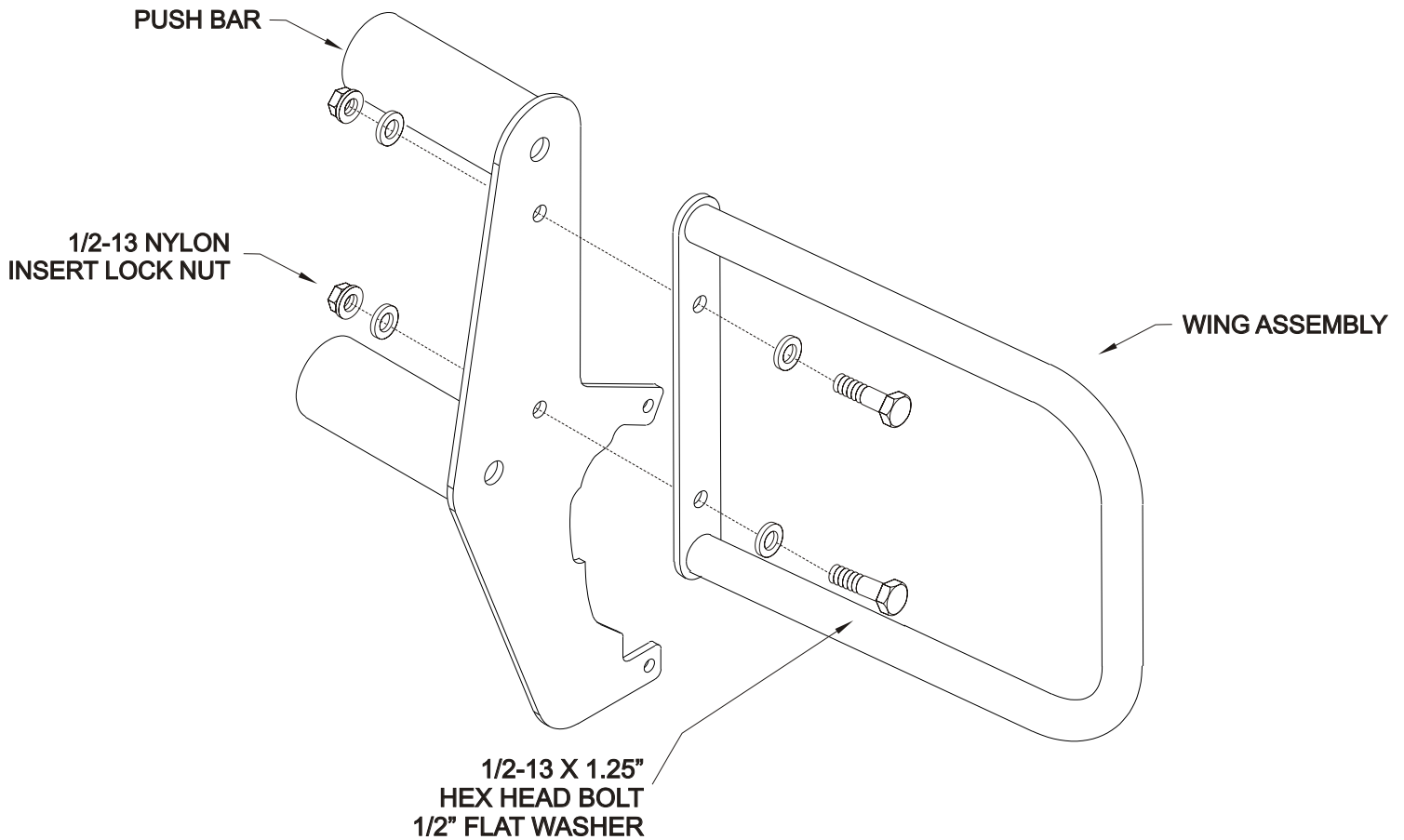


FIGURE 1.
INSTALLATION VIEW OF DRIVER SIDE SHOWN, PASSENGER SIDE OPPOSITE

Finish protection - Westin products have a high quality finish that must be cared for like any other exposed finish on the vehicle. Protect the finish with a non-abrasive automotive wax (pure carnauba, for example) on a regular basis. The use of cleaner wax or any compound which contains an abrasive is detrimental, as the compounds scratch the finish and open it to corrosion.
