



INSTALLATION INSTRUCTIONS

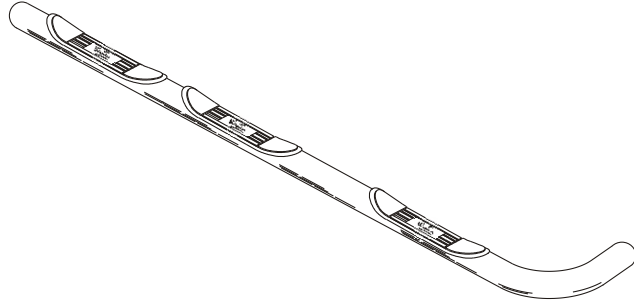
APPLICATION: '88-99* CHEVY/GMC EXTENDED CAB PICK-UP, SHORTBED.

(*Does not fit new SILVERADO/SIERRA body styles sold in '99)

AUTOMOTIVE PRODUCTS, INC.

STEP BAR
ASSEMBLIES

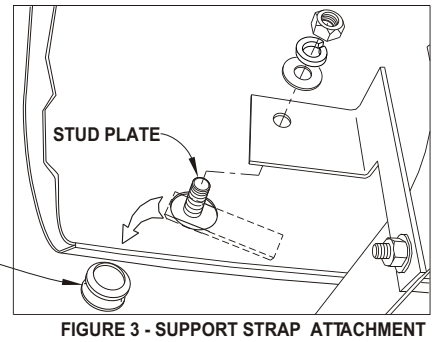
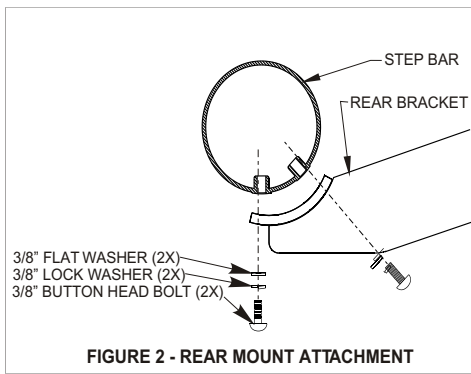
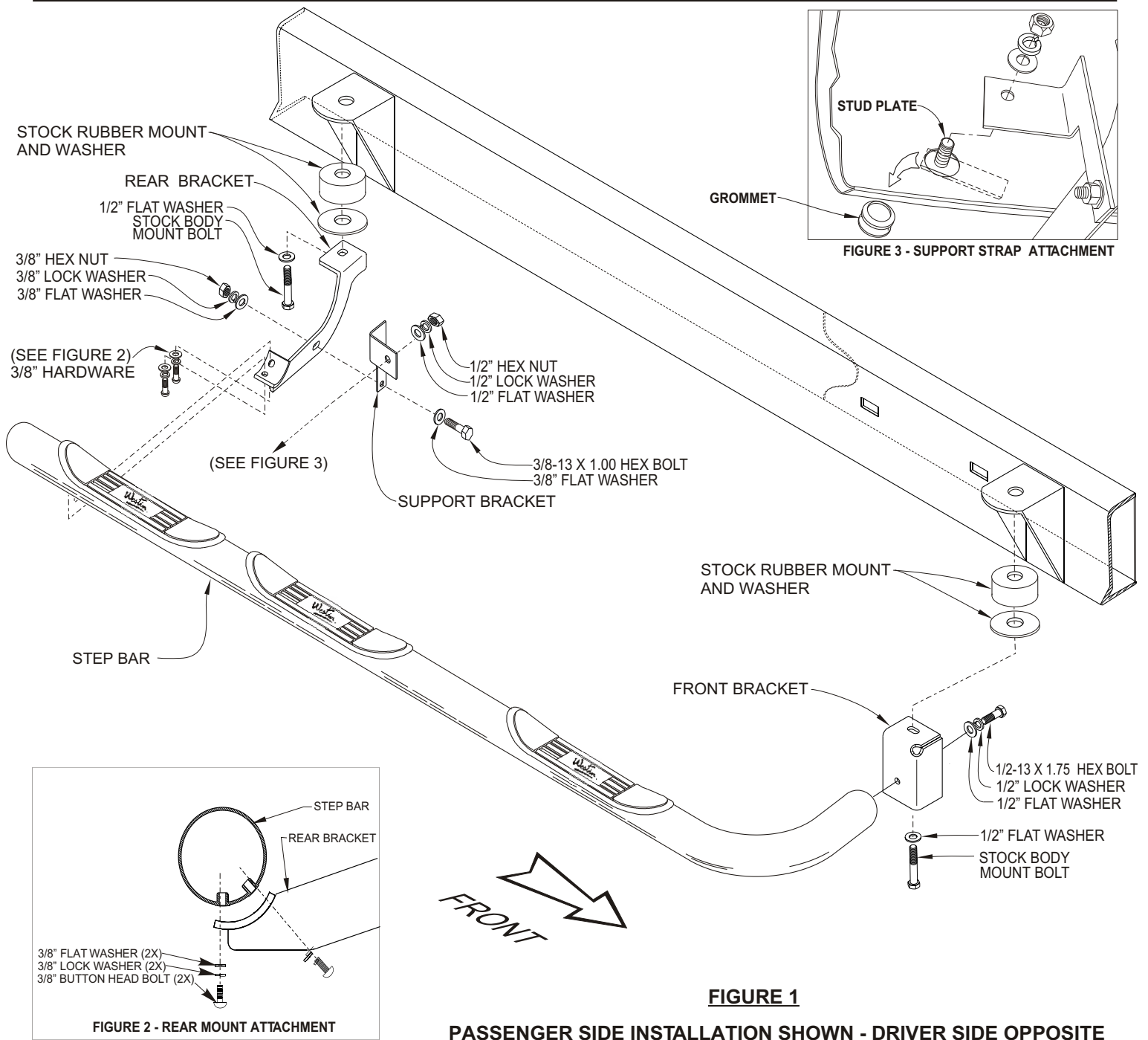
24-4100
24-4105



QTY	PARTS KIT CONTENTS		TOOLS REQUIRED
	DESCRIPTION		
1	STEP BAR - PASSENGER SIDE		7/32" ALLEN WRENCH 3/4" SOCKET 3/4" WRENCH RATCHET 6" EXTENSION TORQUE WRENCH 9/16" SOCKET 9/16" WRENCH
1	STEP BAR - DRIVER SIDE		
2	FRONT BRACKETS		
1	REAR BRACKET - DRIVER		
1	REAR BRACKET - PASSENGER		
1	REAR SUPPORT BRACKET - DRIVER		
1	REAR SUPPORT BRACKET - PASSENGER		
8	1/2" FLAT WASHER		
2	1/2-13 X 1.75 HEX HEAD BOLT		
4	1/2" SPLIT LOCK WASHER		
2	1/2" HEX NUT		
4	3/8-16 X 1.00 BUTTON HEAD BOLT		
8	3/8" FLAT WASHER		
6	3/8" SPLIT LOCK WASHER		
2	3/8-16 X 1.00 HEX HEAD BOLT		
2	3/8" HEX NUT		

- STEP 1. Remove the contents from the box and check for any damage. Verify all parts against the parts list. Read and understand instructions completely before beginning installation.
- STEP 2. Remove Front passenger side Body Mount Bolt. Attach Front Bracket using previously removed Stock Bolt and supplied 1/2" Flat Washer. Be sure to reinstall factory Body Mount Rubber and Washer. Hand Tighten only. (See Figure 1)
- STEP 3. Remove Rear passenger side body Mount Bolt. Attach Rear Bracket using previously removed Stock Bolt and supplied 1/2" Flat washer. Be sure to reinstall factory Body Mount Rubber and Washer. Hand Tighten only. (See Figure 1)
- STEP 4. For Rear Support Strap- remove rubber grommet from inside of body. Insert supplied Stud Plate. Attach passenger side Support Strap to Stud Plate using 1/2" Lock Washer, 1/2" Flat Washer and 1/2" Hex Nut.. (See Figure 3)
- STEP 5. Attach Rear Bracket to Support Strap using 3/8" Hex Head Bolt,(2) 3/8" Washers, 3/8" Lock Washer and 3/8" Hex Nut. Hand Tighten only. (See Figure 1)
- STEP 6. Loosely assemble Front of Step Bar to Bracket using 1/2-13 X 1.75" Hex Head Bolt, 1/2" Lock Washer and 1/2" Flat Washer. (See Figure 1)

- STEP 7. Loosely assemble Step Bar to Rear Bracket using (2) 3/8-16 X 1.00" Button Head Bolt, 3/8" Lock Washer and 3/8" Flat Washer. (See Figure 1 & 2)
- STEP 8. Check to make sure Step Bar is properly aligned with vehicle, then tighten and torque 1/2" fasteners to 65 Ft. Lbs., and 3/8" fasteners to 32 Ft. Lbs.
- STEP 9. Repeat steps 2-8 for Driver Side.



Finish protection - Westin products have a high quality finish that must be cared for like any other exposed finish on the vehicle. Protect the finish with a non-abrasive automotive wax (pure carnauba, for example) on a regular basis. The use of cleaner wax or any compound which contains an abrasive is detrimental, as the compounds scratch the finish and open it to corrosion.



Westin Automotive Products, Inc.
5200 N. Irwindale Ave. Suite 220
Irwindale, Ca. 91706

Thank You for choosing Westin products
For additional installation assistance please call
Customer service (800) 345-8476 or (626) 960-6762