

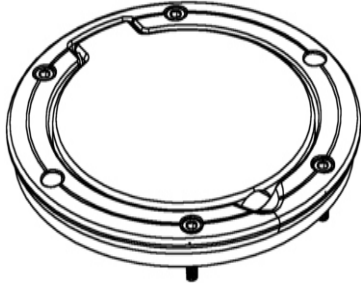


# INSTALLATION INSTRUCTIONS

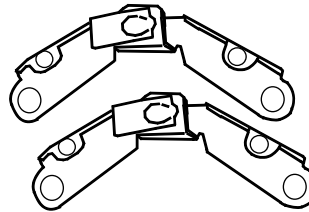
APPLICATION: 97 & UP MERCEDES BENZ ML 320 / ML 430/ ML 500 / ML 55

## AUTOMOTIVE PRODUCTS, INC.

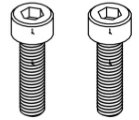
FUEL DOOR ASSY  
11-0040



FUEL DOOR ASSY



MOUNTING BRACKETS



MOUNTING BOLTS

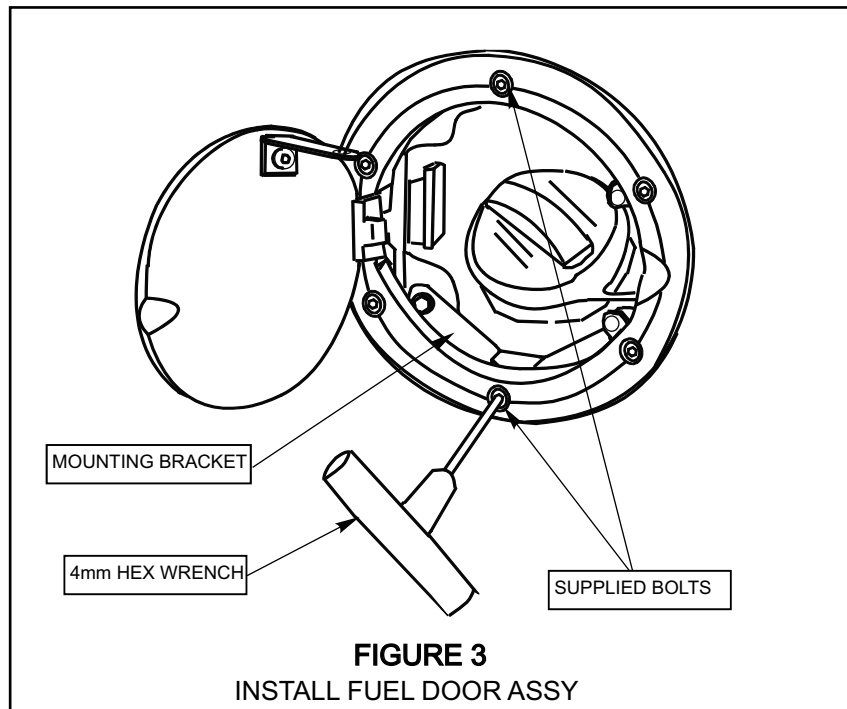
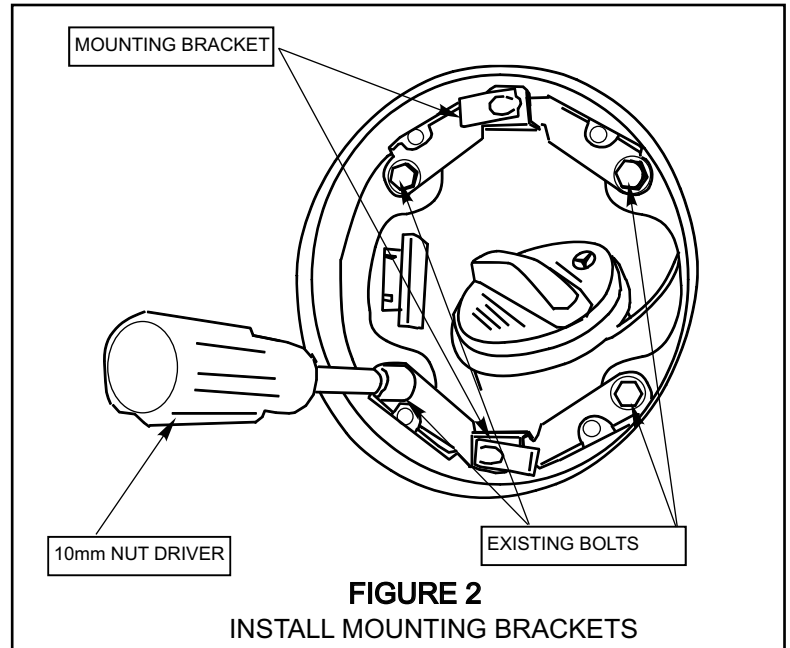
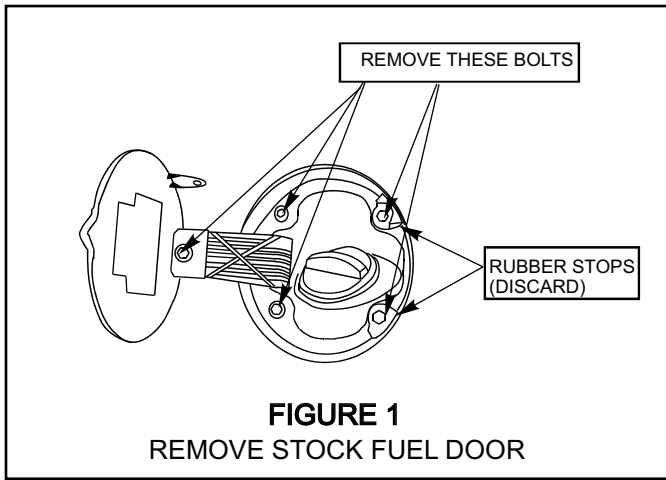
QTY	PART KIT CONTENTS DESCRIPTION	TOOLS REQUIRED
1 2 2	FUEL DOOR ASSEMBLY MOUNTING BRACKETS MOUNTING BOLTS	10mm NUT DRIVER 4mm HEX WRENCH CLEAN CLOTH

**STEP 1.** Remove the contents from the box and check for any damage. Verify all parts against the parts list. Read and understand instructions completely before beginning installation.

**STEP 2.** Use 10mm socket driver to remove stock fuel door from fuel door hinge. Proceed by removing the four bolts located around opening of stock fuel door. Place all parts on clean cloth (See Figure 1). NOTE: Discard rubber stops.

**STEP 3.** Install fuel door mounting brackets using the four bolts removed in step one. Using 10MM nut driver, tighten and torque all bolts to 20 in-lb (See Figure 2).

**STEP 4.** Position the fuel door over the brackets. Align upper and lower bolt holes in fuel door with threaded holes in mounting Brackets. Attach using supplied bolts. Using 4mm hex wrench, tighten and torque each bolt to 20 in-lb (See Figure 3).



Finish protection - Westin products have a high quality finish that must be cared for like any other exposed finish on the vehicle. Protect the finish with a non-abrasive automotive wax (pure carnauba, for example) on a regular basis. The use of cleaner wax or any compound which contains an abrasive is detrimental, as the compounds scratch the finish and open it to corrosion.



Westin Automotive Products, Inc.  
5200 N. Irwindale Ave. Suite 220  
Irwindale, Ca. 91706

**Thank You for choosing Westin products**  
**For additional installation assistance please call**  
**Customer service (800) 345-8476 or (626) 960-6762**



# WESTIN

Premium Quality Truck Accessories

## WESTIN WARRANTY

---

### **FIVE YEAR WARRANTY FOR STEP BOARDS, POWDER COATED STEEL & CHROME PLATED STEEL PRODUCTS**

Westin Automotive Products, Inc. guarantees the original purchaser of Westin Signature Series Step Bars, Classic Grille Guards, Push Bars, Brush Guards, Sportsman One-Piece Grille Guards, Tail Light Guards, Step Boards and Trailblazer bumpers a five-year warranty from the date of original purchase against manufacturer defects in materials, workmanship and finish under normal use excluding damage resulting from road hazards such as gravel or other debris, product misuse, improper installation, impairments from accidents, product modifications or product neglect. This five year warranty applies only to new products and is limited to the repair or replacement of Westin products. Warranty does not include electrical components or light bulb replacement, costs of removal, installation, labor, inconvenience or consequential damages. Original purchaser must return defective merchandise, along with the purchase receipt, to the original place of purchase.

### **LIFETIME WARRANTY FOR BLACK POWDERCOAT AND CHROME PLATED STAINLESS STEEL PRODUCTS**

Westin Automotive Products, Inc. guarantees the original purchaser of Platinum Series™ Step Bars, Chrome-plated Stainless Steel Safari Light Bars and Sportsman Modular Grille Guards a lifetime warranty against manufacturer defects in materials, workmanship and finish under normal use excluding damage resulting from road hazards such as gravel or other debris, product misuse, improper installation, impairments from accidents, product modifications or product neglect. This lifetime warranty applies only to new products and is limited to the repair or replacement of Westin products. Warranty does not include costs of removal, installation, labor, inconvenience or consequential damages. Original purchaser must return defective merchandise, along with the purchase receipt, to the original place of purchase.

### **FINISH PROTECTION**

Westin products have a high quality finish that must be cared for like any other exposed finish on the vehicle. Protect the finish with a non-abrasive automotive wax, (e.g. Pure Carnauba) on a regular basis. The use of any soap, polish or wax that contains an abrasive is detrimental, as the compounds scratch the finish and open it to corrosion.

### **DISCLAIMER FOR WESTIN PRODUCTS**

Buyer assumes all risk and liability whatsoever from the installation and use of Westin products. Westin products are sold as decorative accessories and should not be relied upon as protection for the vehicle or occupants in the event of a collision or roll over. Vehicles equipped with a supplemental restraints system (air bags) deployed by impact should not be modified by any aftermarket Grille Guard, Push Bar, Light Bar or Bull Bar without first consulting the vehicle manufacturer. Westin Automotive Products, Inc. assumes no liability for injury, loss, incidental or consequential damages in the event of a collision or roll over.