

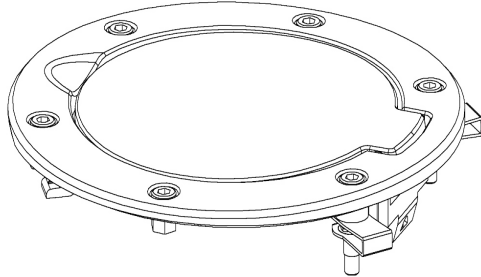


# INSTALLATION INSTRUCTIONS

**APPLICATION:** 99-03 MUSTANG  
 97 & UP FORD F-150 TRUCK (EXCLUDES SUPERCREW)  
 99 & UP FORD F-250/350 (MODIFICATION REQUIRED)  
 97 & UP FORD EXPEDITION  
 2000 & UP FORD EXCURSION

**AUTOMOTIVE PRODUCTS, INC.**

FUEL DOOR ASSY  
 11-0000



FUEL DOOR ASSY



M4 NUT  
 (FOR USE ON  
 F-SERIES TRUCKS ONLY)

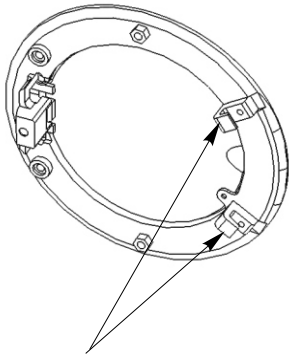


M4 U-NUT

QTY	PART KIT CONTENTS DESCRIPTION	TOOLS REQUIRED
1	FUEL DOOR ASSEMBLY	T-20 TORX DRIVER
1	M4 MOUNTING NUT	
2	U-NUT	

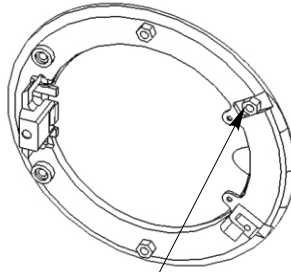
- STEP 1.** Remove the contents from the box and check for any damage. Verify all parts against the parts list. Read and understand instructions completely before beginning installation.
- STEP 2.** Clean the installation area. Work in a well ventilated area. Take care not to drop any bolts into fuel filler pipe during installation. Be careful not to scratch paint.
- STEP 3.** After opening the stock fuel door, remove the two bolts (Torx T-20) mounting the fuel door hinge. After removing these two bolts, the fuel door hinge will have to be slightly closed before removing. Remove the two rubber stops.
- STEP 4. Mustang:** Apply the U-style threaded nuts on the plastic panel that lies under and tucked against the sheet metal. The u-style nuts will be lined up behind the mounting holes for the stock fuel door hinge. After the U-style nuts are in place, remove the rubber stops from their mounting screws and re-apply the screws to the car. Do not re-apply the two bolts that mounted the stock fuel door hinge. **F-Series Trucks:** U-style threaded nuts will be applied after fuel door is positioned.
- STEP 5.** To mount the fuel door, angle the fuel door into position with the mounting clips hooking onto the sheet metal of the fuel door cavity. After clipped onto the sheet metal, the pivot end of the fuel door should drop into place. With the mounting bolts lined up with mounting holes, the mounting bolts should be threaded and tightened into U-style threaded nuts. For **F-Series trucks**, the nuts are to be held in place behind the mounting holes.

**ALLOY FUEL DOOR ASSEMBLY  
FOR MUSTANG**



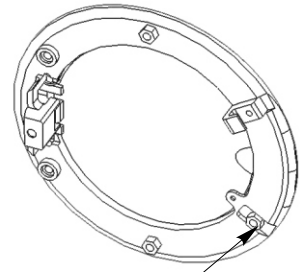
NYLON CLIPS TO STAY ON  
AS IN RECEIVED CONDITION.  
DISCARD M4 NUT.

**ALLOY FUEL DOOR ASSEMBLY  
FOR F-150 SERIES TRUCK**

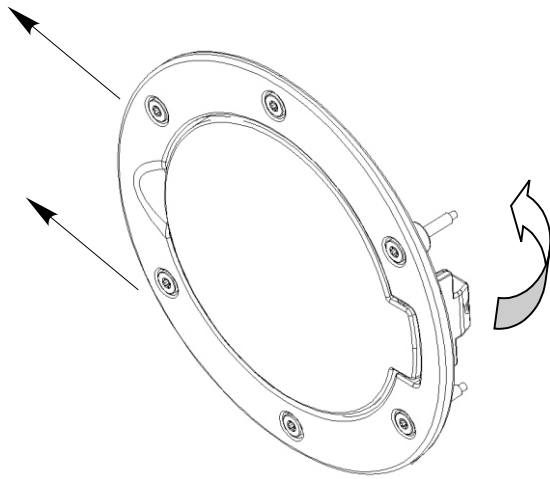


REMOVE UPPER NYLON CLIP  
REPLACE WITH SUPPLIED  
M4 NUT.

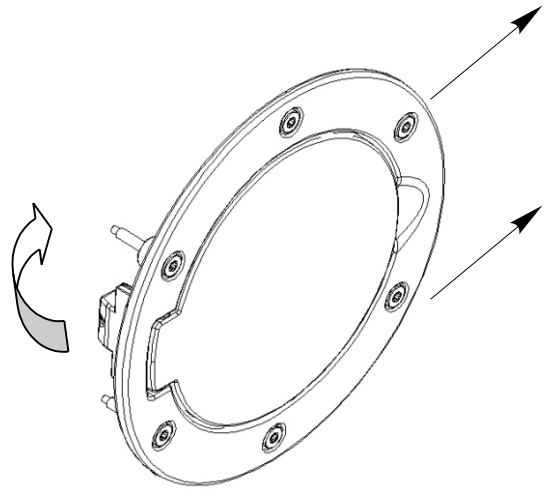
**ALLOY FUEL DOOR ASSEMBLY  
FOR F-250 SERIES TRUCK**



REMOVE LOWER NYLON CLIP  
REPLACE WITH SUPPLIED  
M4 NUT.



**ALLOY FUEL DOOR ASSEMBLY  
INSTALLATION FOR MUSTANG**



**ALLOY FUEL DOOR ASSEMBLY  
INSTALLATION FOR F-SERIES TRUCK**

Finish protection - Westin products have a high quality finish that must be cared for like any other exposed finish on the vehicle. Protect the finish with a non-abrasive automotive wax (pure carnauba, for example) on a regular basis. The use of cleaner wax or any compound which contains an abrasive is detrimental, as the compounds scratch the finish and open it to corrosion.



Westin Automotive Products, Inc.  
5200 N. Irwindale Ave. Suite 220  
Irwindale, Ca. 91706

**Thank You for choosing Westin products  
For additional installation assistance please call  
Customer service (800) 345-8476 or (626) 960-6762**



# WESTIN

Premium Quality Truck Accessories

## WESTIN WARRANTY

---

### **FIVE YEAR WARRANTY FOR STEP BOARDS, POWDER COATED STEEL & CHROME PLATED STEEL PRODUCTS**

Westin Automotive Products, Inc. guarantees the original purchaser of Westin Signature Series Step Bars, Classic Grille Guards, Push Bars, Brush Guards, Sportsman One-Piece Grille Guards, Tail Light Guards, Step Boards and Trailblazer bumpers a five-year warranty from the date of original purchase against manufacturer defects in materials, workmanship and finish under normal use excluding damage resulting from road hazards such as gravel or other debris, product misuse, improper installation, impairments from accidents, product modifications or product neglect. This five year warranty applies only to new products and is limited to the repair or replacement of Westin products. Warranty does not include electrical components or light bulb replacement, costs of removal, installation, labor, inconvenience or consequential damages. Original purchaser must return defective merchandise, along with the purchase receipt, to the original place of purchase.

### **LIFETIME WARRANTY FOR BLACK POWDERCOAT AND CHROME PLATED STAINLESS STEEL PRODUCTS**

Westin Automotive Products, Inc. guarantees the original purchaser of Platinum Series™ Step Bars, Chrome-plated Stainless Steel Safari Light Bars and Sportsman Modular Grille Guards a lifetime warranty against manufacturer defects in materials, workmanship and finish under normal use excluding damage resulting from road hazards such as gravel or other debris, product misuse, improper installation, impairments from accidents, product modifications or product neglect. This lifetime warranty applies only to new products and is limited to the repair or replacement of Westin products. Warranty does not include costs of removal, installation, labor, inconvenience or consequential damages. Original purchaser must return defective merchandise, along with the purchase receipt, to the original place of purchase.

### **FINISH PROTECTION**

Westin products have a high quality finish that must be cared for like any other exposed finish on the vehicle. Protect the finish with a non-abrasive automotive wax, (e.g. Pure Carnauba) on a regular basis. The use of any soap, polish or wax that contains an abrasive is detrimental, as the compounds scratch the finish and open it to corrosion.

### **DISCLAIMER FOR WESTIN PRODUCTS**

Buyer assumes all risk and liability whatsoever from the installation and use of Westin products. Westin products are sold as decorative accessories and should not be relied upon as protection for the vehicle or occupants in the event of a collision or roll over. Vehicles equipped with a supplemental restraints system (air bags) deployed by impact should not be modified by any aftermarket Grille Guard, Push Bar, Light Bar or Bull Bar without first consulting the vehicle manufacturer. Westin Automotive Products, Inc. assumes no liability for injury, loss, incidental or consequential damages in the event of a collision or roll over.