



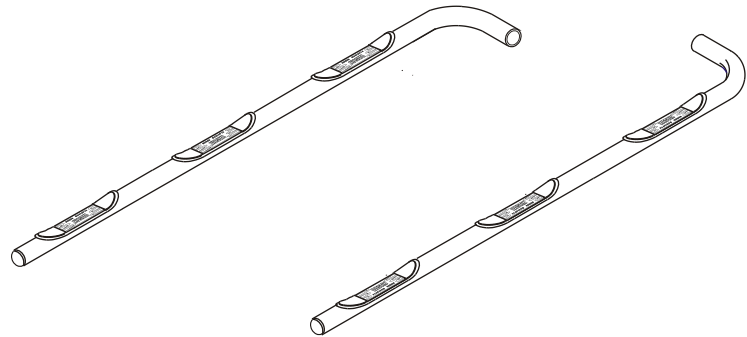
INSTALLATION INSTRUCTIONS

APPLICATION: 1997-UP FORD F150/250 LD SUPER CAB-4DR

AUTOMOTIVE PRODUCTS, INC.

STEP BAR ASSEMBLIES

24-4060
24-4065



QTY	PART KIT CONTENTS DESCRIPTION	TOOLS REQUIRED
1	STEP BAR - DRIVER SIDE	
1	STEP BAR - PASSENGER SIDE	
1	MOUNT BRACKET, FRONT-DRIVER SIDE	3/4" SOCKET
1	MOUNT BRACKET, FRONT-PASSENGER SIDE	9/16" SOCKET
1	MOUNT BRACKET, REAR-DRIVER SIDE	7/32" HEX BIT SOCKET
1	MOUNT BRACKET, REAR-PASSENGER SIDE	RATCHET
4	BOLTPLATE, LARGE	3/4" WRENCH
1	BOLTPLATE, SMALL ('97-'98 EXT CAB ONLY)	9/16" WRENCH
2	1/2"-13 X 1.75" HEX HEAD BOLT	TORQUE WRENCH
2	1/2" FLAT WASHER	
2	1/2" SPLIT LOCK WASHER	
8	3/8" FLAT WASHER	
8	3/8" SPLIT LOCK WASHER	
8	3/8"-16 HEX NUT	
4	3/8"-16" X 1.25" ALLEN HEAD BOLT-BLACK	
4	3/8" FLAT WASHER-BLACK	
4	3/8" INTERNAL TOOTH LOCK WASHER-BLACK	

- STEP 1.** Remove the contents from the box and check for any damage. Verify all parts against parts list. Read and understand instructions completely before beginning installation.
- STEP 2.** Remove black rubber plugs over two holes (three on '97-'98 ext cab driver side) on each inside face of sheet metal rocker panel. (See figure 1.)
- STEP 3.** Install front mounting brackets by placing bolt plate (large) through hole in body as shown (See Figure 2). Position front bracket with downward sloping end towards front of truck. Assemble with 3/8" flat washers, lock washers and hex nuts. (See Figure 3). Leave loose.
- STEP 4.** Install rear mounting brackets by placing bolt plate (large) through hole in body as shown (See Figure 2). Assemble with 3/8" flat washers, lock washers and hex nuts. (See Figure 3). Leave loose.
NOTE: '97-'98 Extended Cab driver side rear bracket uses small bolt plate. This uses the two lower holes in the rear bracket (See Figure 3).
- STEP 5.** Place Step Bar tube up to front and rear brackets and loosely fasten at the front with 1/2" hardware and at the rear with 3/8" hardware (See Figure 4).
- STEP 6.** Check to make sure Step Bar is level and properly aligned to truck. Tighten and torque 1/2" hardware to 65 ft-lbs., 3/8" hardware to 30 ft-lbs.

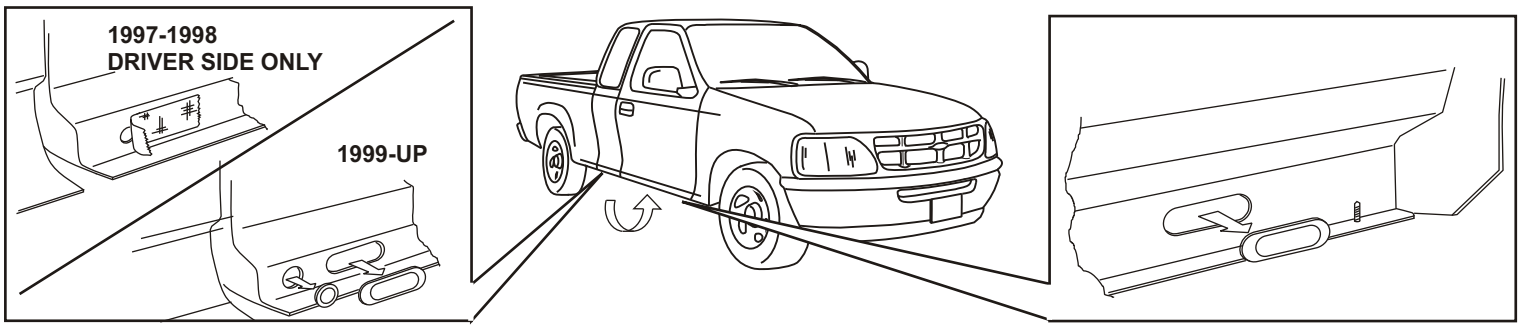


FIGURE 1 - PASSENGER SIDE SHOWN, DRIVER SIDE OPPOSITE

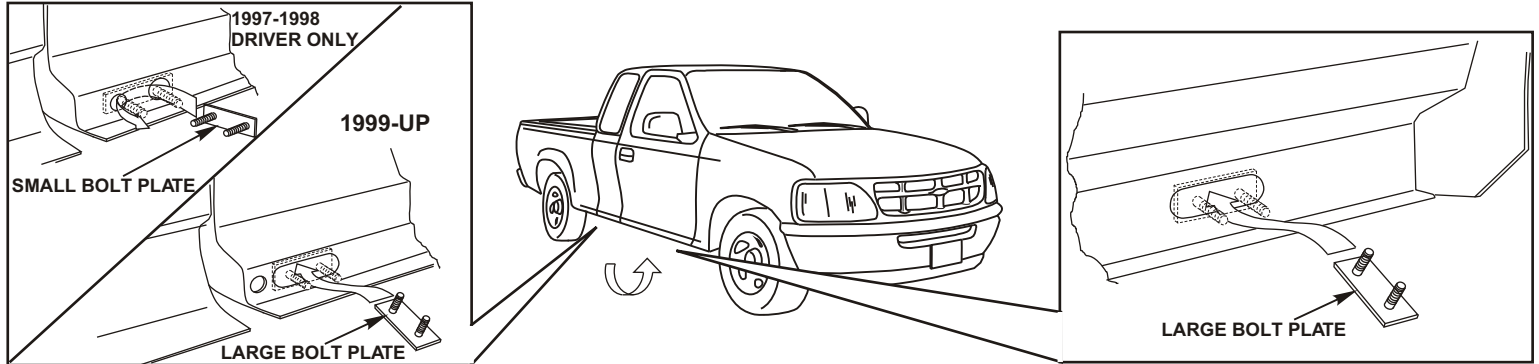


FIGURE 2 - PASSENGER SIDE SHOWN, DRIVER SIDE OPPOSITE

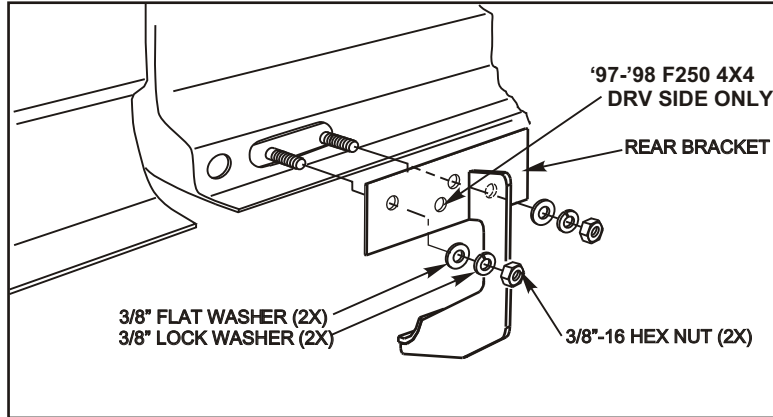


FIGURE 3 - PASSENGER SIDE SHOWN, DRIVER SIDE OPPOSITE

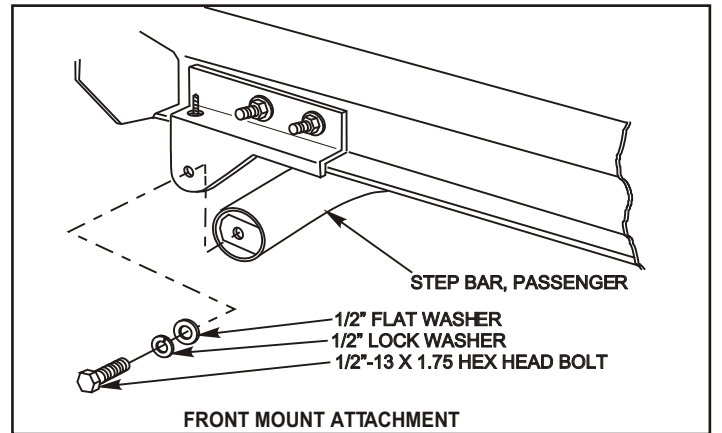
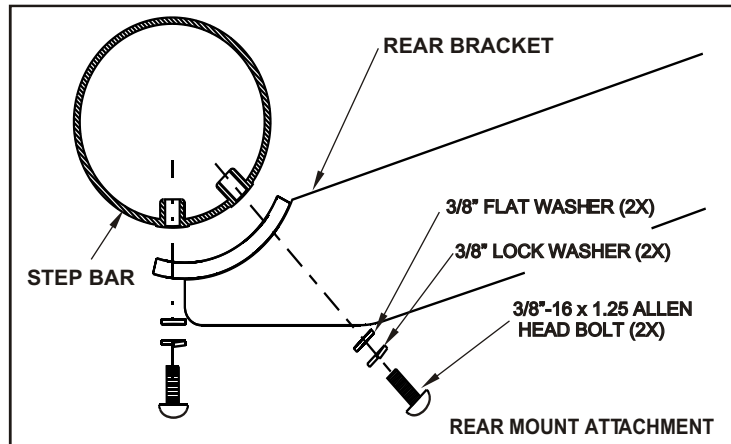
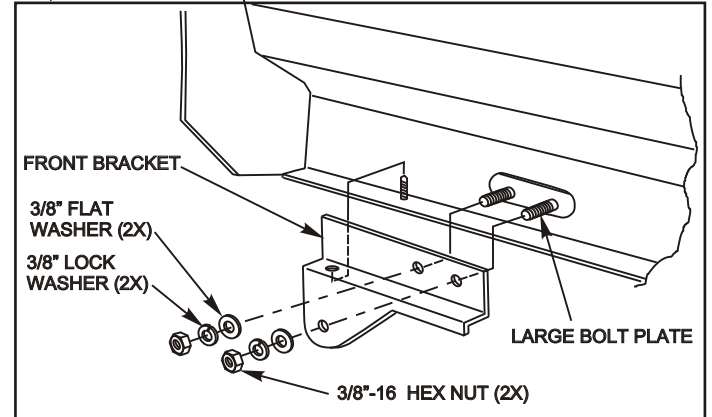


FIGURE 4 - PASSENGER SIDE SHOWN, DRIVER SIDE OPPOSITE

Finish protection - Westin products have a high quality finish that must be cared for like any other exposed finish on the vehicle. Protect the finish with a non-abrasive automotive wax (pure carnauba, for example) on a regular basis. The use of cleaner wax or any compound which contains an abrasive is detrimental, as the compounds scratch the finish and open it to corrosion.



Westin Automotive Products, Inc.
5200 N. Irwindale Ave. Suite 220
Irwindale, Ca. 91706

AUTOMOTIVE PRODUCTS, INC.

Thank You for choosing Westin products
For additional installation assistance please call
Customer service (800) 793- 7846 or (507) 375-3559



WESTIN

Premium Quality Truck Accessories

WESTIN WARRANTY

FIVE YEAR WARRANTY FOR STEP BOARDS, POWDER COATED STEEL & CHROME PLATED STEEL PRODUCTS

Westin Automotive Products, Inc. guarantees the original purchaser of Westin Signature Series Step Bars, Classic Grille Guards, Push Bars, Brush Guards, Sportsman One-Piece Grille Guards, Tail Light Guards, Step Boards and Trailblazer bumpers a five-year warranty from the date of original purchase against manufacturer defects in materials, workmanship and finish under normal use excluding damage resulting from road hazards such as gravel or other debris, product misuse, improper installation, impairments from accidents, product modifications or product neglect. This five year warranty applies only to new products and is limited to the repair or replacement of Westin products. Warranty does not include electrical components or light bulb replacement, costs of removal, installation, labor, inconvenience or consequential damages. Original purchaser must return defective merchandise, along with the purchase receipt, to the original place of purchase.

LIFETIME WARRANTY FOR BLACK POWDERCOAT AND CHROME PLATED STAINLESS STEEL PRODUCTS

Westin Automotive Products, Inc. guarantees the original purchaser of Platinum Series™ Step Bars, Chrome-plated Stainless Steel Safari Light Bars and Sportsman Modular Grille Guards a lifetime warranty against manufacturer defects in materials, workmanship and finish under normal use excluding damage resulting from road hazards such as gravel or other debris, product misuse, improper installation, impairments from accidents, product modifications or product neglect. This lifetime warranty applies only to new products and is limited to the repair or replacement of Westin products. Warranty does not include costs of removal, installation, labor, inconvenience or consequential damages. Original purchaser must return defective merchandise, along with the purchase receipt, to the original place of purchase.

FINISH PROTECTION

Westin products have a high quality finish that must be cared for like any other exposed finish on the vehicle. Protect the finish with a non-abrasive automotive wax, (e.g. Pure Carnauba) on a regular basis. The use of any soap, polish or wax that contains an abrasive is detrimental, as the compounds scratch the finish and open it to corrosion.

DISCLAIMER FOR WESTIN PRODUCTS

Buyer assumes all risk and liability whatsoever from the installation and use of Westin products. Westin products are sold as decorative accessories and should not be relied upon as protection for the vehicle or occupants in the event of a collision or roll over. Vehicles equipped with a supplemental restraints system (air bags) deployed by impact should not be modified by any aftermarket Grille Guard, Push Bar, Light Bar or Bull Bar without first consulting the vehicle manufacturer. Westin Automotive Products, Inc. assumes no liability for injury, loss, incidental or consequential damages in the event of a collision or roll over.