



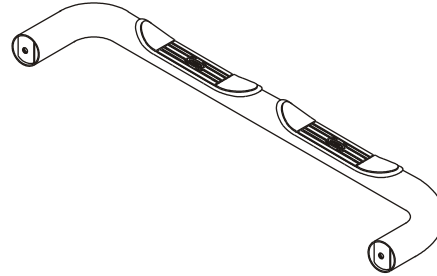
INSTALLATION INSTRUCTIONS

APPLICATION: 1998 - 02 FORD RANGER 4 - DOOR
1998 - 02 MAZDA TRUCK 4 - DOOR

AUTOMOTIVE PRODUCTS, INC.

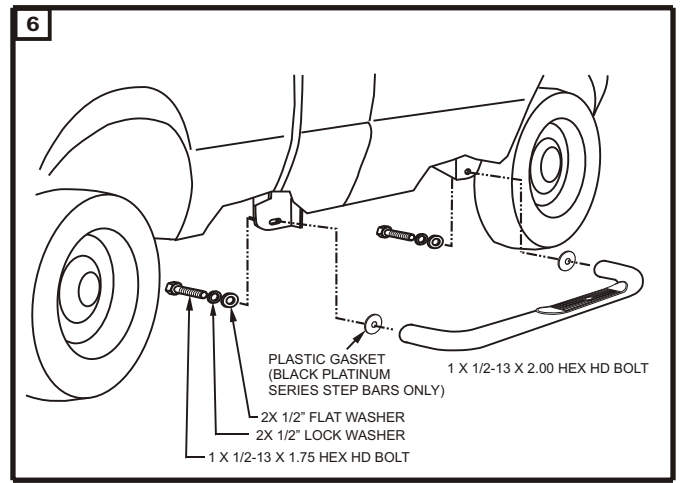
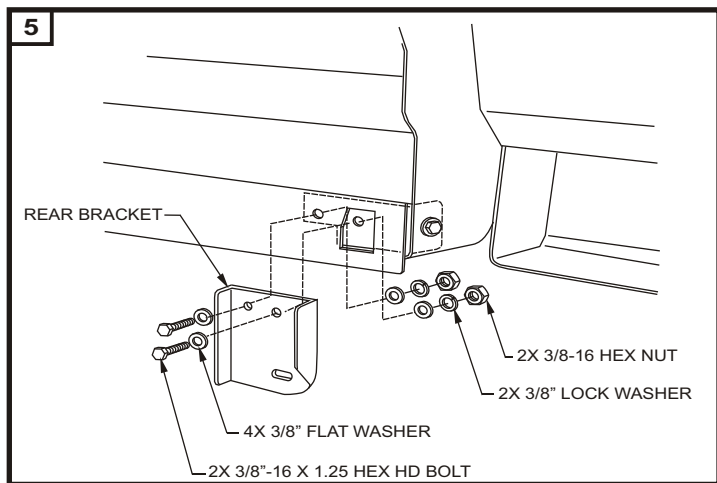
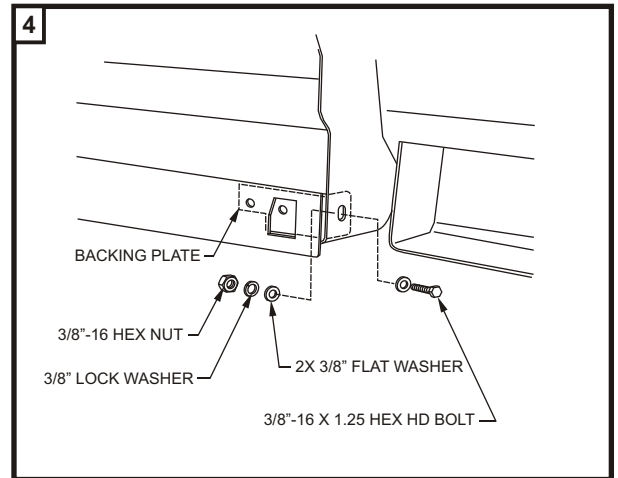
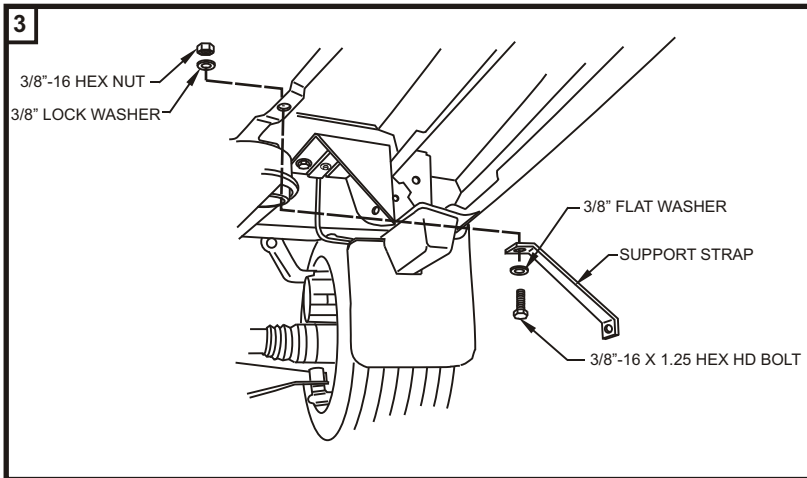
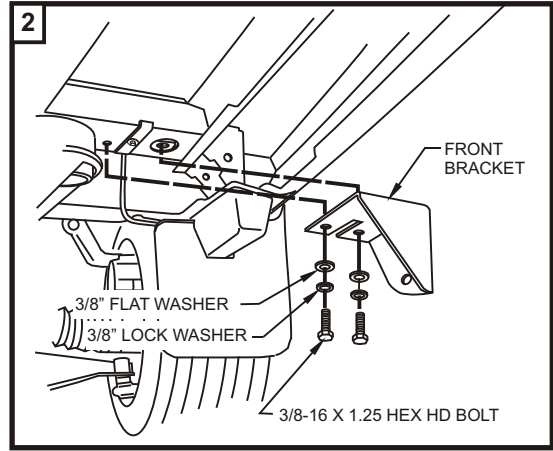
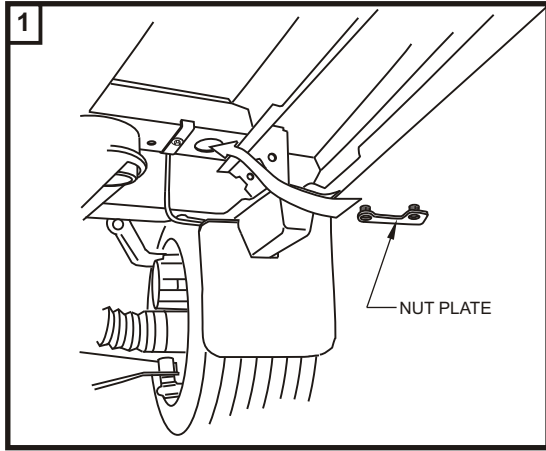
STEP BAR
ASSEMBLIES

25-1550
25-1555
26-1550
26-1555



QTY	PARTS KIT CONTENTS DESCRIPTION	TOOLS REQUIRED
1	STEP BAR - DRIVER SIDE	3/4" SOCKET 9/16" SOCKET 9/16" WRENCH TORQUE WRENCH RATCHET
1	STEP BAR - PASSENGER SIDE	
1	FRONT BRACKET - DRIVER SIDE	
1	FRONT BRACKET - PASSENGER SIDE	
1	REAR BRACKET - DRIVER SIDE	
1	REAR BRACKET - PASSENGER SIDE	
1	NUT PLATE ASSY - DRIVER SIDE	
1	NUT PLATE ASSY - PASSENGER SIDE	
1	SUPPORT STRAP - DRIVER SIDE	
1	SUPPORT STRAP - PASSENGER SIDE	
1	BACKING PLATE ASSY - DRIVER SIDE	
1	BACKING PLATE ASSY - PASSENGER SIDE	
2	1/2 -13 X 2.00" LG. HEX HEAD BOLT	
2	1/2-13 X 1.75" LG. HEX HEAD BOLT	
4	1/2" FLAT WASHER, ZINC PLATED	
4	1/2" LOCK WASHER, ZINC PLATED	
12	3/8 -16 X 1.25" LG. HEX HEAD BOLT	
20	3/8" FLAT WASHER, ZINC PLATED	
12	3/8" LOCK WASHER, ZINC PLATED	
8	3/8 -16 HEX NUT	
4	PLASTIC GASKET (BLACK PLATINUM SERIES STEP BARS ONLY)	

- STEP 1. Remove the contents from the box and check for any damage. Verify all parts against parts list.
- STEP 2. Read and understand instructions completely before beginning installation.
- STEP 3. Install Front Brackets using hardware supplied and by following Figures 1 through 3.
- STEP 4. Mount Backing Plate to vehicle as shown in Figure 4.
- STEP 5. Attach Rear Bracket to vehicle and Backing Plate as shown in Figure 5.
- STEP 6. Attach Step Bars to Mounting Brackets.
- STEP 7. Tighten and torque 3/8" Fasteners to 30 FT. LBS. And 1/2" Fasteners to 65 FT. LBS.



NOTE: INSTRUCTIONS SHOWN ARE FOR PASSENGER SIDE INSTALLATION. DRIVER SIDE INSTALLATION IS OPPOSITE.

Finish protection - Westin products have a high quality finish that must be cared for like any other exposed finish on the vehicle. Protect the finish with a non-abrasive automotive wax (pure carnauba, for example) on a regular basis. The use of cleaner wax or any compound which contains an abrasive is detrimental, as the compounds scratch the finish and open it to corrosion.



Westin Automotive Products, Inc.
5200 N. Irwindale Ave. Suite 220
Irwindale, Ca. 91706

Thank You for choosing Westin products
For additional installation assistance please call
Customer service (800) 793-7846 or (507) 375-3559



WESTIN

Premium Quality Truck Accessories

WESTIN WARRANTY

FIVE YEAR WARRANTY FOR STEP BOARDS, POWDER COATED STEEL & CHROME PLATED STEEL PRODUCTS

Westin Automotive Products, Inc. guarantees the original purchaser of Westin Signature Series Step Bars, Classic Grille Guards, Push Bars, Brush Guards, Sportsman One-Piece Grille Guards, Tail Light Guards, Step Boards and Trailblazer bumpers a five-year warranty from the date of original purchase against manufacturer defects in materials, workmanship and finish under normal use excluding damage resulting from road hazards such as gravel or other debris, product misuse, improper installation, impairments from accidents, product modifications or product neglect. This five year warranty applies only to new products and is limited to the repair or replacement of Westin products. Warranty does not include electrical components or light bulb replacement, costs of removal, installation, labor, inconvenience or consequential damages. Original purchaser must return defective merchandise, along with the purchase receipt, to the original place of purchase.

LIFETIME WARRANTY FOR BLACK POWDERCOAT AND CHROME PLATED STAINLESS STEEL PRODUCTS

Westin Automotive Products, Inc. guarantees the original purchaser of Platinum Series™ Step Bars, Chrome-plated Stainless Steel Safari Light Bars and Sportsman Modular Grille Guards a lifetime warranty against manufacturer defects in materials, workmanship and finish under normal use excluding damage resulting from road hazards such as gravel or other debris, product misuse, improper installation, impairments from accidents, product modifications or product neglect. This lifetime warranty applies only to new products and is limited to the repair or replacement of Westin products. Warranty does not include costs of removal, installation, labor, inconvenience or consequential damages. Original purchaser must return defective merchandise, along with the purchase receipt, to the original place of purchase.

FINISH PROTECTION

Westin products have a high quality finish that must be cared for like any other exposed finish on the vehicle. Protect the finish with a non-abrasive automotive wax, (e.g. Pure Carnauba) on a regular basis. The use of any soap, polish or wax that contains an abrasive is detrimental, as the compounds scratch the finish and open it to corrosion.

DISCLAIMER FOR WESTIN PRODUCTS

Buyer assumes all risk and liability whatsoever from the installation and use of Westin products. Westin products are sold as decorative accessories and should not be relied upon as protection for the vehicle or occupants in the event of a collision or roll over. Vehicles equipped with a supplemental restraints system (air bags) deployed by impact should not be modified by any aftermarket Grille Guard, Push Bar, Light Bar or Bull Bar without first consulting the vehicle manufacturer. Westin Automotive Products, Inc. assumes no liability for injury, loss, incidental or consequential damages in the event of a collision or roll over.