



INSTALLATION INSTRUCTIONS

APPLICATION: 2002 & UP 1500 SERIES DODGE RAM
2003 & UP 2500/3500 SERIES

AUTOMOTIVE PRODUCTS, INC.

SPORTSMAN TAIL LIGHT GUARD		QTY	PART KIT CONTENTS DESCRIPTION
CHROME 39-3260	BLACK 39-3265	1	TAIL LIGHT GUARD - DRIVER
		1	TAIL LIGHT GUARD - PASSENGER
		2	PLASTIC RETAINER CLIPS
		4	SHEET METAL SCREWS #10 X 1.00"

- STEP 1. Remove the contents from the box and check for any damage. Verify all parts against parts list. Read and understand instructions completely before beginning installation.
- STEP 2. Snap plastic retainer clips onto third wire from top of driver side and passenger side taillight guards (See Figure 1).
- STEP 3. Lower tailgate to access taillight mounting screws located. Remove the two factory screws (one upper and one lower) that attach the taillight.
- STEP 4. Center taillight guard over taillight and adjust bracket so that retainer clip rests snugly against lens. Loosely secure taillight guard to vehicle, using #10 X 1.00" sheet metal screws provided. Carefully close hatch and make sure taillight guard does not interfere with operation of tailgate opening and closing. Adjust brackets as necessary. Tighten screws snugly using caution to avoid cracking taillight housing assembly.
- STEP 5. Remove backing tape from base of retainer clip and press firmly against taillight lens.
- STEP 6. Repeat Steps 2 thru 5 on opposite side taillight. Installation is Complete.

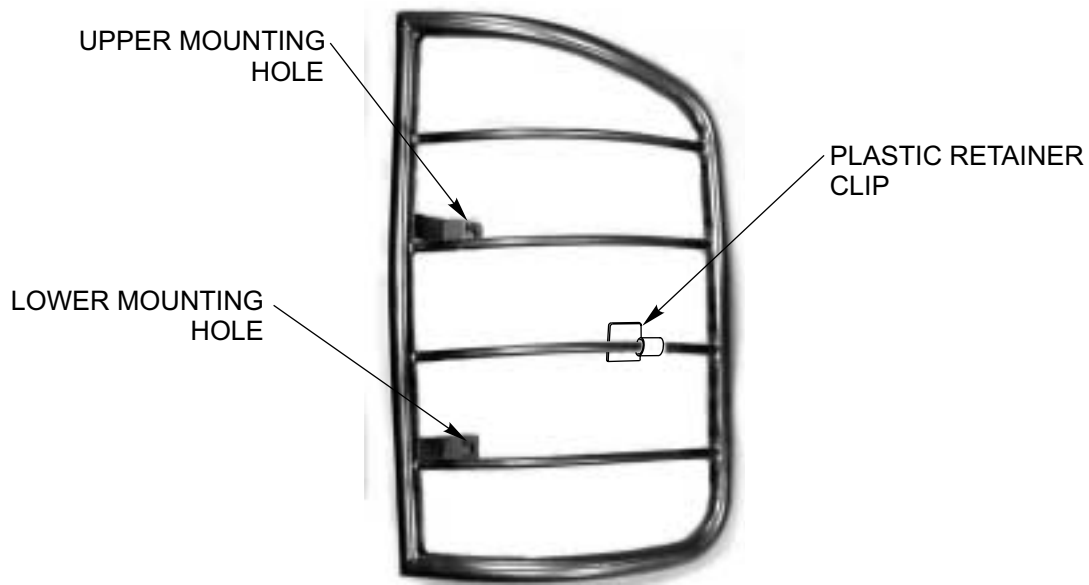


FIGURE 1
DRIVER SIDE TAILLIGHT GUARD SHOWN



WESTIN
Premium Quality Truck Accessories

WESTIN WARRANTY

FIVE YEAR WARRANTY FOR STEP BOARDS, POWDER COATED STEEL & CHROME PLATED STEEL PRODUCTS

Westin Automotive Products, Inc. guarantees the original purchaser of Westin Signature Series Step Bars, Classic Grille Guards, Push Bars, Brush Guards, Sportsman One-Piece Grille Guards, Tail Light Guards, Step Boards and Trailblazer bumpers a five-year warranty from the date of original purchase against manufacturer defects in materials, workmanship and finish under normal use excluding damage resulting from road hazards such as gravel or other debris, product misuse, improper installation, impairments from accidents, product modifications or product neglect. This five year warranty applies only to new products and is limited to the repair or replacement of Westin products. Warranty does not include electrical components or light bulb replacement, costs of removal, installation, labor, inconvenience or consequential damages. Original purchaser must return defective merchandise, along with the purchase receipt, to the original place of purchase.

LIFETIME WARRANTY FOR BLACK POWDERCOAT AND CHROME PLATED STAINLESS STEEL PRODUCTS

Westin Automotive Products, Inc. guarantees the original purchaser of Platinum Series™ Step Bars, Chrome-plated Stainless Steel Safari Light Bars and Sportsman Modular Grille Guards a lifetime warranty against manufacturer defects in materials, workmanship and finish under normal use excluding damage resulting from road hazards such as gravel or other debris, product misuse, improper installation, impairments from accidents, product modifications or product neglect. This lifetime warranty applies only to new products and is limited to the repair or replacement of Westin products. Warranty does not include costs of removal, installation, labor, inconvenience or consequential damages. Original purchaser must return defective merchandise, along with the purchase receipt, to the original place of purchase.

FINISH PROTECTION

Westin products have a high quality finish that must be cared for like any other exposed finish on the vehicle. Protect the finish with a non-abrasive automotive wax, (e.g. Pure Carnauba) on a regular basis. The use of any soap, polish or wax that contains an abrasive is detrimental, as the compounds scratch the finish and open it to corrosion.

DISCLAIMER FOR WESTIN PRODUCTS

Buyer assumes all risk and liability whatsoever from the installation and use of Westin products. Westin products are sold as decorative accessories and should not be relied upon as protection for the vehicle or occupants in the event of a collision or roll over. Vehicles equipped with a supplemental restraints system (air bags) deployed by impact should not be modified by any aftermarket Grille Guard, Push Bar, Light Bar or Bull Bar without first consulting the vehicle manufacturer. Westin Automotive Products, Inc. assumes no liability for injury, loss, incidental or consequential damages in the event of a collision or roll over.