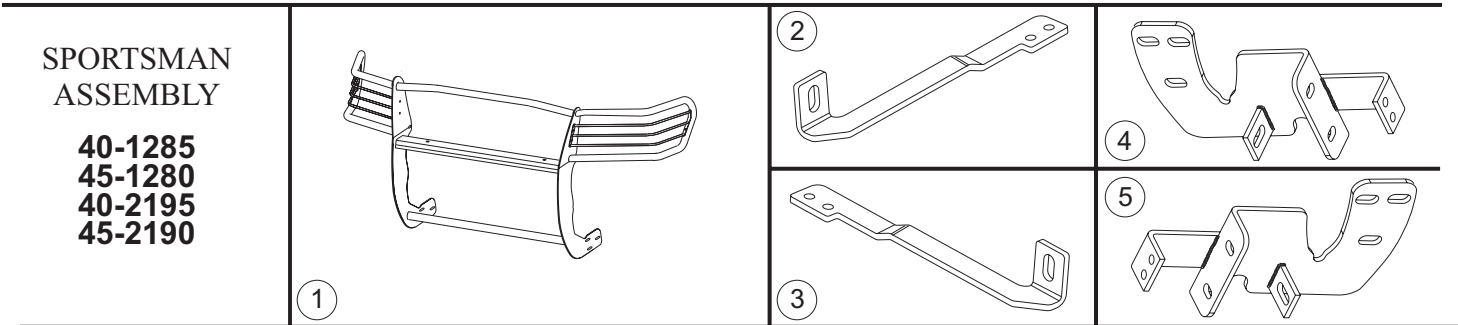




INSTALLATION INSTRUCTIONS

APPLICATION: 2003-08 TOYOTA 4-RUNNER

AUTOMOTIVE PRODUCTS, INC.



PARTS KIT CONTENTS

ITEM	QTY	DESCRIPTION	ITEM	QTY	DESCRIPTION
1	1	SPORTSMAN ASSEMBLY	13	2	M10-1.5 HEX NUT, STAINLESS STEEL
2,3	2	TOP BRACKET, PASSENGER(2) AND DRIVER(3)	14	4	M10-1.5 X 30 HEX HEAD BOLT, YELLOW ZINC
4,5	2	BOTTOM BRACKET, PASSENGER(4) AND DRIVER(5)	15	8	M10 FLAT WASHER, YELLOW ZINC
6	6	M12-1.75 X 35 HEX HEAD BOLT, STAINLESS STEEL	16	4	M10 LOCK WASHER, YELLOW ZINC
7	12	M12 FLAT WASHER, STAINLESS STEEL	17	4	M10-1.5 HEX NUT, YELLOW ZINC
8	6	M12 LOCK WASHER, STAINLESS STEEL	18	4	M8-1.25 X 120 HEX HEAD BOLT, YELLOW ZINC
9	6	M12-1.75 HEX NUT, STAINLESS STEEL	19	8	M8 FLAT WASHER, YELLOW ZINC
10	2	M10-1.5 X 30 HEX HEAD BOLT, STAINLESS STEEL	20	4	M8 LOCK WASHER, YELLOW ZINC
11	4	M10 FLAT WASHER, STAINLESS STEEL	21	4	M8-1.25 HEX NUT, YELLOW ZINC
12	2	M10 LOCK WASHER, STAINLESS STEEL	22	2	ANTI REFLECTIVE TAPE (POLISHED ASSEMBLIES ONLY)

TOOLS REQUIRED

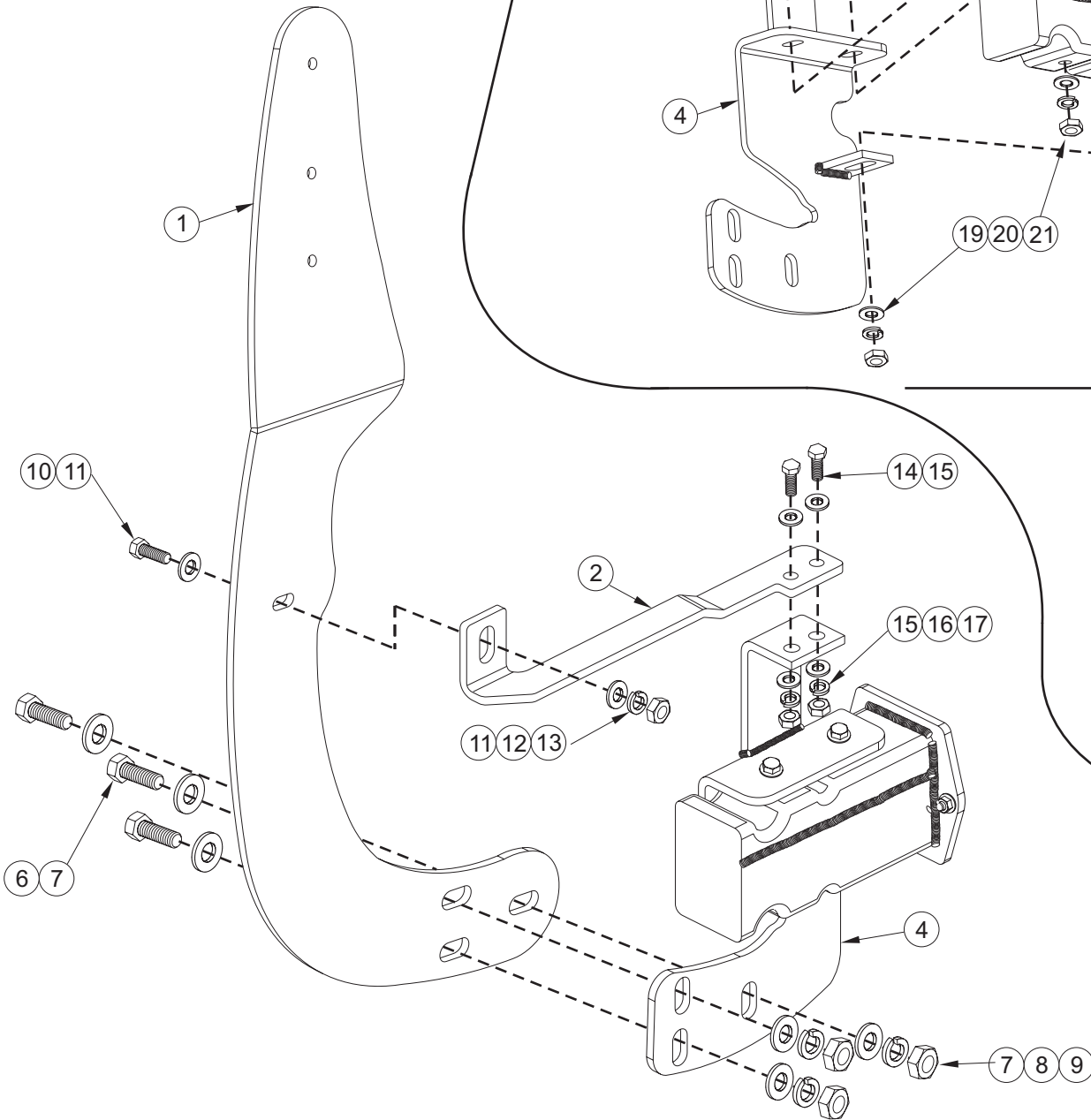
19MM SOCKET
18MM WRENCH
RATCHET

17MM SOCKET
16MM WRENCH
SOCKET EXTENSION

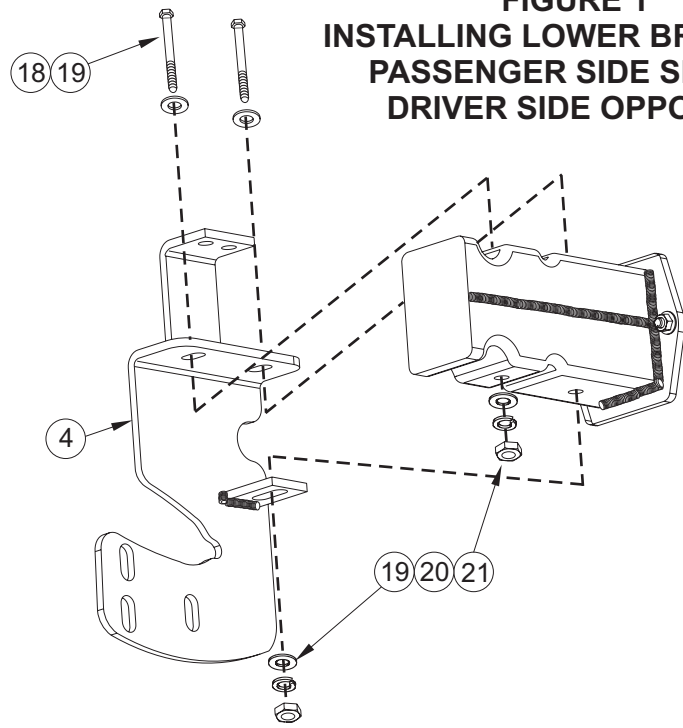
13MM SOCKET
12MM WRENCH
FLAT TIP SCREWDRIVER

- NOTE: WESTIN ADVISES THE INSTALLER TO USE A THREAD LUBRICANT ON ALL STAINLESS HARDWARE.
- STEP 1. Remove the contents from box and check for damage. Verify all parts are present. Read instructions completely before beginning.
- STEP 2. Remove four push pins that secure the rubber splash shields on each side.
- STEP 3. Determine passenger and driver side bottom brackets. Attach both bottom brackets with M8 hardware through the frame. Leave loose. **SEE FIGURE 1.**
- STEP 4. Install top brackets by sliding the flat end through the grille to the lower bracket, secure to the lower bracket using yellow zinc M10 hardware. Leave loose. **SEE FIGURE 2.**
- STEP 5. With Sportsman front side down in front of vehicle, fasten rear slot of Sportsman to the rear slot of the bottom bracket using M12 hardware. Leave loose. Rotate Sportsman up to vehicle and secure to bottom bracket using M12 hardware. Attach the Sportsman to the top bracket using stainless steel M10 hardware. Leave loose. **SEE FIGURE 2.**
- STEP 6. Center and level Sportsman. Carefully make sure vehicle hood will clear unit when opening and closing. Adjust unit if needed. Tighten all hardware.
- STEP 5. If light glare is being experienced off the wings of the grille guard, anti reflective tape has been supplied to reduce glare. With headlights on, note where the reflection is concentrated on the wing. Clean the wing well with a non-abrasive cleaner (rubbing alcohol works the best.) Trim the anti-reflective tape to the appropriate size where the glare was located and apply tape. **SEE FIGURE 3.**

**FIGURE 2
INSTALLING SPORTSMAN
AND TOP BRACKET
PASSENGER SIDE SHOWN
DRIVER SIDE OPPOSITE**



**FIGURE 1
INSTALLING LOWER BRACKETS
PASSENGER SIDE SHOWN
DRIVER SIDE OPPOSITE**



**APPLY TAPE HERE
ON BOTH WINGS**

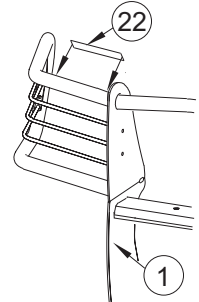


FIGURE 3

Finish protection - Westin products have a high quality finish that must be cared for like any other exposed finish on the vehicle. Protect the finish with a non-abrasive automotive wax (pure carnauba, for example) on a regular basis. The use of cleaner wax or any compound which contains an abrasive is detrimental, as the compounds scratch the finish and open it to corrosion.