



**INSTALLATION INSTRUCTIONS**  
**2004-2008 Ford F-150 (Excluding Heritage)**  
**Part # 45-1390, 40-1395, 45-2010, 40-2015**

**PART LIST**

1	Grille Guard
2	Mounting Brackets
2	Top Brackets (04-05 Models)
2	Top Brackets (06-08 Models)
2	Top Support Brackets (06-08 Models)
2	M12 Nut Plates (2wd models)
4	M12 x 30mm Hex Head Bolts, Yellow Zinc
4	M12 Oversized Flat Washers, Yellow Zinc
4	M12 Lock Washers, Yellow Zinc
4	M12 x 40mm Hex Head Bolt, Stainless Steel
8	M12 Flat Washers, Stainless Steel
4	M12 Lock Washers, Stainless Steel
4	M12 Hex Nuts, Stainless Steel
4	M10 x 40mm Hex Head Bolts, Yellow Zinc
2	M10 Oversized Flat Washers, Yellow Zinc
6	M10 Flat Washers, Yellow Zinc
4	M10 Lock Washers, Yellow Zinc
4	M10 Hex Nuts, Yellow Zinc
2	M10 x 30 Hex Head Bolt, Stainless Steel
4	M10 Flat Washers, Stainless Steel
2	M10 Lock Washers, Stainless Steel
2	M10 Hex Nuts, Stainless Steel

**Note:** Westin Automotive advises the installer to use a thread lubricant on all stainless steel fasteners.

**PROCEDURE:**

**Step One:** Remove all parts from the box, check for damage and verify all parts are present.

**Step Two:** On 2wd models without tow hooks, use a utility knife to cut out the molded pocket in the bumper to allow the Mounting Brackets to pass through. Locate the Passenger side Lower Mounting Bracket, (1) Nut Plate, (2) Yellow Zinc M12 x 30mm Hex Head Bolts, and (2) Yellow Zinc M12 Oversized Flat Washers. Insert Nut Plate through the front of the frame as shown in Fig 1. Line up holes on the Nut Plate with holes on the frame. Make sure the flat side of the Nut Plate is facing down when inserted into the frame. Orient Lower Mounting Bracket as shown in

Fig 1 and loosely fasten it to the Nut Plate. **NOTE:** On 4wd models, tow hooks can be re-used and will use factory bolts to install the Mounting Bracket. Repeat this step for the opposite side.

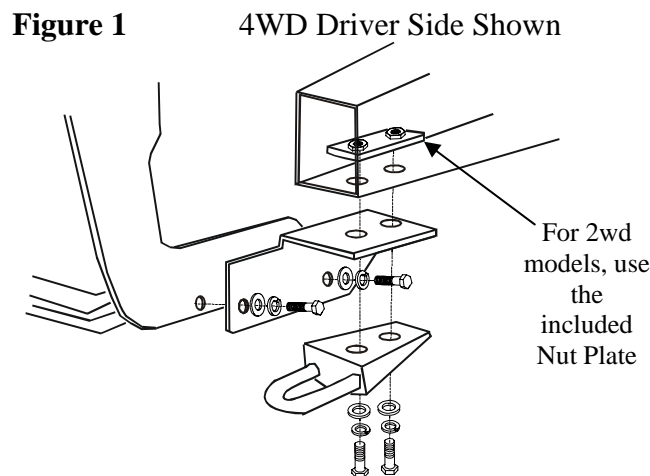
**Step Three:** Locate (4) Stainless Steel M12 x 30mm Hex Head Bolts, (4) Stainless Steel M12 Hex Nuts, (4) Stainless Steel M12 Lock Washers, and (8) Stainless Steel M12 Flat Washers. Position the Grille Guard on the vehicle and place the lower portion of the Grille Guard to the outside of the Lower Mounting Brackets as shown in Fig 1. Secure the Grille Guard to Mounting Brackets with hardware. Do not tighten hardware at this time.

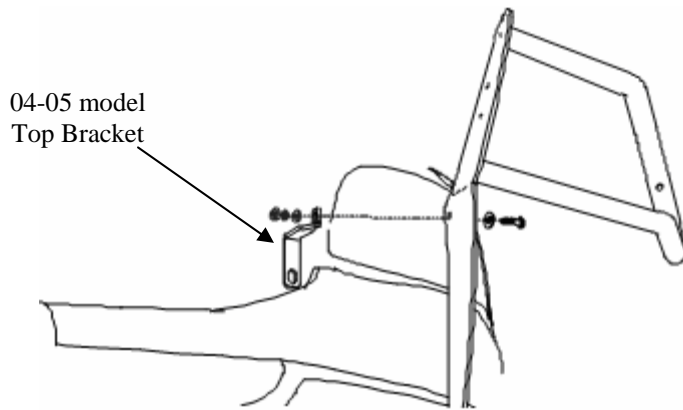
**Step Four:**

**For 04-05 models:** Locate driver side Top Bracket, (2) Yellow Zinc M10 x 40mm Hex Head Bolts, and (2) Yellow Zinc M10 Flat Washers. Open hood and locate the Top Bracket mounting location (Fig 2). The Top Bracket mounting location is located in the inside of the vehicle next to the rubber stopper. Attach Bracket using the hardware listed. Do not tighten hardware at this time. Repeat this step for opposite side.

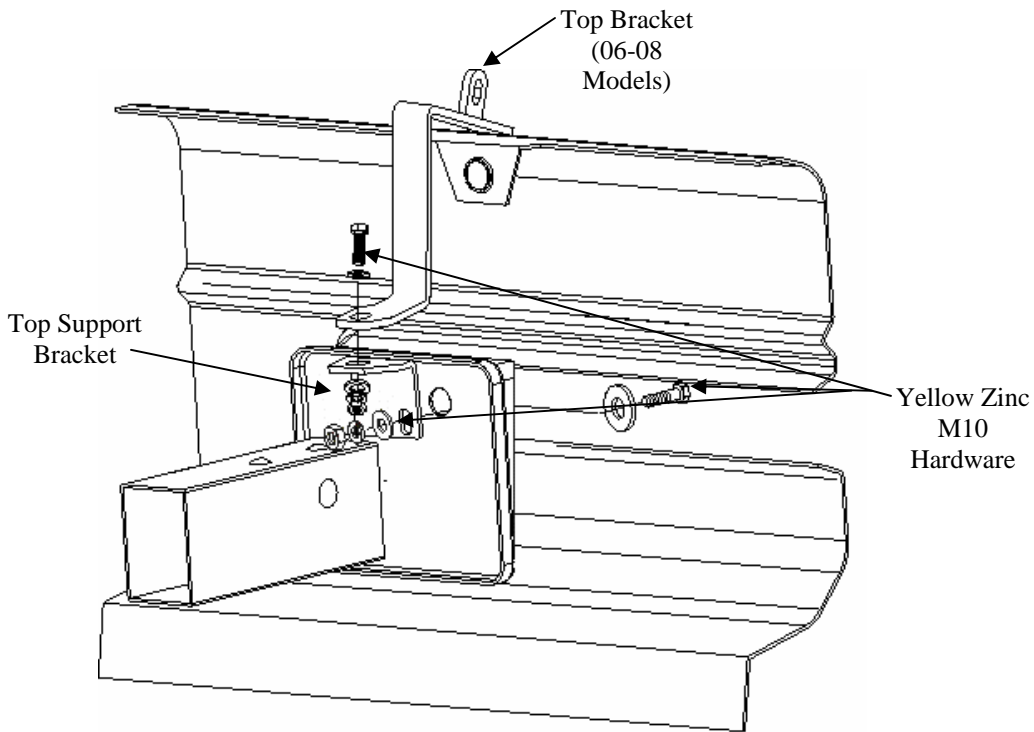
**For 06-08 models:** To install the Top Bracket Support, locate the existing hole through the bumper intake (Fig 3). Position the Support Bracket behind existing hole. Attach with the included Yellow Zinc M10 x 40mm Hex Bolts, Yellow Zinc M10 Oversized Flat Washers, Yellow Zinc M10 Flat Washers, and Yellow Zinc M10 Hex Nuts (Fig 3). The Top Bracket attaches to the Support Bracket using Yellow Zinc M10 x 40mm Hex Head Bolts, Yellow Zinc M10 Flat Washers, Yellow Zinc M10 Lock Washers, and Yellow Zinc M10 Hex Nuts.

**Step Five:** Locate (2) Stainless Steel M10 x 30mm Hex Head Bolts, (4) Stainless Steel M10 Flat Washers, (2) Stainless Steel M10 lock Washers, and (2) Stainless Steel M10 Hex Nuts. Attach the front of the Top Brackets to the Grille Guard by using the hardware listed in this step (Figure 2). Center Grille Guard and tighten all hardware at this time.





**Figure 2** 04-05 Driver Side Shown



**Figure 3** 06-08 Driver Side Shown

---

Finish protection - Westin products have a high quality finish that must be cared for like any other exposed finish on the vehicle. Protect the finish with a non-abrasive automotive wax (pure carnauba, for example) on a regular basis. The use of cleaner wax or any compound which contains an abrasive is detrimental, as the compounds scratch the finish and open it to corrosion.

---



Westin Automotive Products, Inc.  
5200 N. Irwindale Ave. Suite 220  
Irwindale, Ca. 91706

Thank You for choosing Westin products  
For additional installation assistance please call  
Customer service (800) 793-7846 or (507) 375-3559

Revision A 12/14/07