



SIGNATURE OF QUALITY

AUTOMOTIVE PRODUCTS, INC.

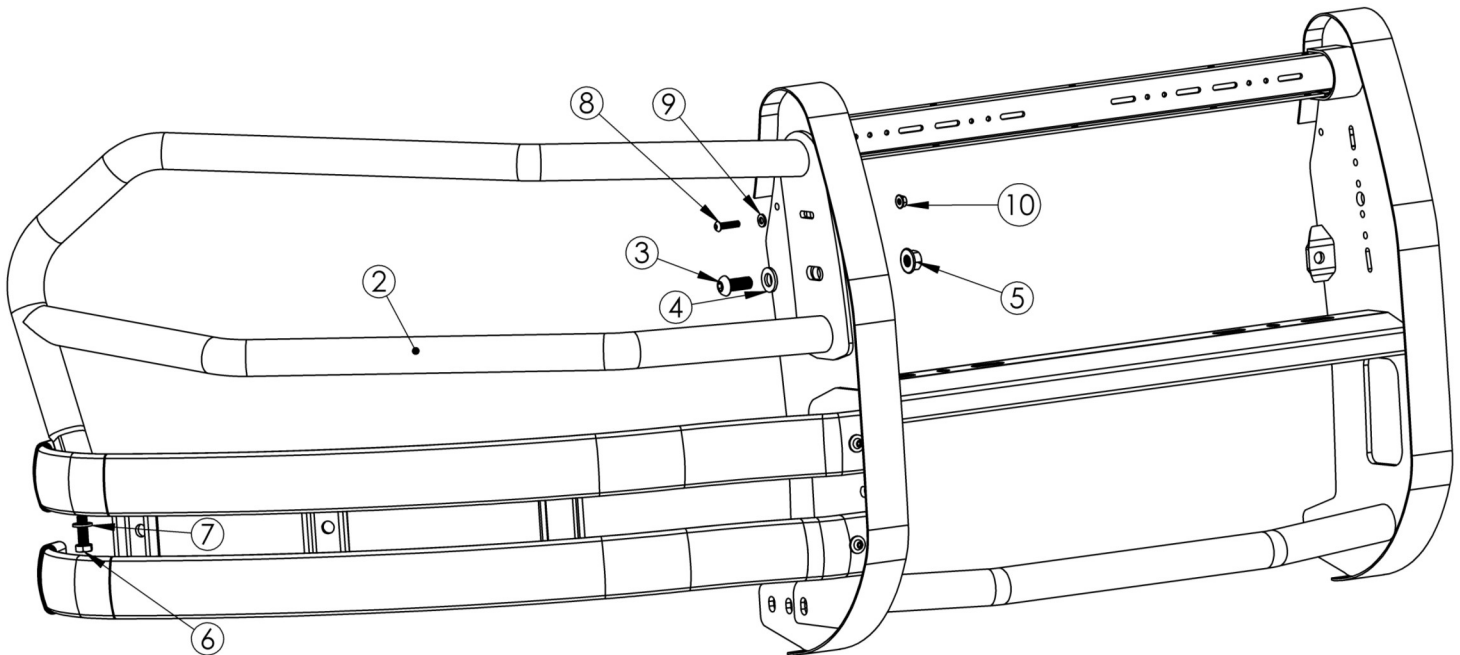
INSTALLATION INSTRUCTIONS

APPLICATION: DODGE CHARGER POLICE WING WRAP (2011 & UP)
APP PART # 36-2035W

ITEM	QUANTITY	DESCRIPTION	TOOLS NEEDED
1,2	2	WING WRAP ASSEMBLIES (DRV & PASS)	RATCHET
3	2	M12 BUTTON HEAD SCREW	18MM SOCKET
4	2	M12 CUPPED WASHER	16MM SOCKET
5	2	M12 FLANGE NUT	10MM SOCKET
6	2	M10 HEX BOLT	ALLEN WRENCH
7	2	M10 CUPPED WASHER	TORQUE WRENCH
8	2	M6 BUTTON HEAD SCREW	
9	2	M6 FLAT WASHER	
10	2	M6 FLANGE NUT	

ANTI-SEIZE LUBRICANT MUST BE USED ON ALL STAINLESS STEEL FASTENERS TO PREVENT THREAD DAMAGE AND GALLING

1. Remove contents from box, verify if all parts listed are present and free from damage. Carefully read and understand all instructions before attempting installation. **Failure to identify damage before installation could lead to a rejection of any claim.**
2. Install the Police Push Bar (36-2035) and Pit Bar Set (36-2035PB) to the front of the vehicle. Refer to I/S 75-3017 & 75-3050 for specific directions. *Note: The Pit Bar Set is necessary to properly install the Wing Wraps.*
3. One side at a time loosely install each Wing Wrap to the Push Bar uprights using the supplied M12 and M6 hardware.
4. Loosely attach the foot of each wing to each Pit Bar upper rail using the supplied M10 hardware.
5. Align and adjust the Wing Wraps as necessary then tighten and torque all fasteners as follows: M6 to 7 - 9 ft-lbs, M10 to 30 - 35 ft-lbs, M12 to 50 - 55 ft-lbs.



CARE INSTRUCTIONS

- REGULAR WAXING IS RECOMMENDED. DO NOT USE ANY TYPE OF POLISH OR WAX THAT MAY CONTAIN ABRASIVES.
- STAINLESS STEEL PRODUCTS CAN BE CLEANED WITH MILD SOAP AND WATER. STAINLESS STEEL POLISH SHOULD BE USED TO POLISH SMALL SCRATCHES.
- GLOSS BLACK FINISHES SHOULD BE CLEANED WITH MILD SOAP AND WATER.



Westin Automotive Products, Inc.
320 Covina Blvd
San Dimas, Ca. 91773

Thank you for choosing Westin products
For additional installation assistance please call
Customer Service (800) 793-7846
www.westinautomotive.com

Westin

SIGNATURE OF QUALITY

AUTOMOTIVE PRODUCTS, INC.



WARNING



Failure to follow these instructions could lead to death, personal injury, and / or property damage.

FASTENERS:

All Westin supplied fasteners must be utilized and installed in accordance with the installation instructions and apply torque to the specifications as defined. **DOUBLE CHECK ALL FASTENERS BEFORE INITIAL USE, AND PERIODICALLY IN THE FUTURE TO ENSURE PROPER FUNCTION AND SAFETY.**

DRILLING:

Most Westin products do not require drilling for installation. If drilling is defined as required, use caution when drilling a vehicle. **FAILURE TO REVIEW AN AREA TO BE DRILLED MAY RESULT IN PERSONAL INJURY AND/OR INJURY TO OTHERS AS WELL AS VEHICLE DAMAGE.**

EYE PROTECTION:

ALWAYS WEAR SAFETY GLASSES OR GOGGLES DURING THE INSTALLATION PROCESS TO AVOID PERSONAL INJURY.

MAXIMUM TOWING/CARRYING CAPACITY:

The Westin Receiver Hitches will have a visible tow rating label affixed directly on the product. User should never exceed the vehicle manufacturers maximum tow and weight rating regardless of the capacity of the hitch. **FAILURE TO FOLLOW THESE GUIDELINES WILL VOID THE WESTIN WARRANTY AND MAY RESULT IN PERSONAL INJURY AND/OR INJURY TO OTHERS AS WELL AS VEHICLE DAMAGE.**

Westin
SIGNATURE OF QUALITY

Westin Automotive Products, Inc.
320 Covina Blvd
San Dimas, Ca. 91773