



AUTOMOTIVE PRODUCTS,

INSTALLATION INSTRUCTIONS

6" PREMIER AND 4" OVAL TUBE MOUNT KIT

APPLICATION:

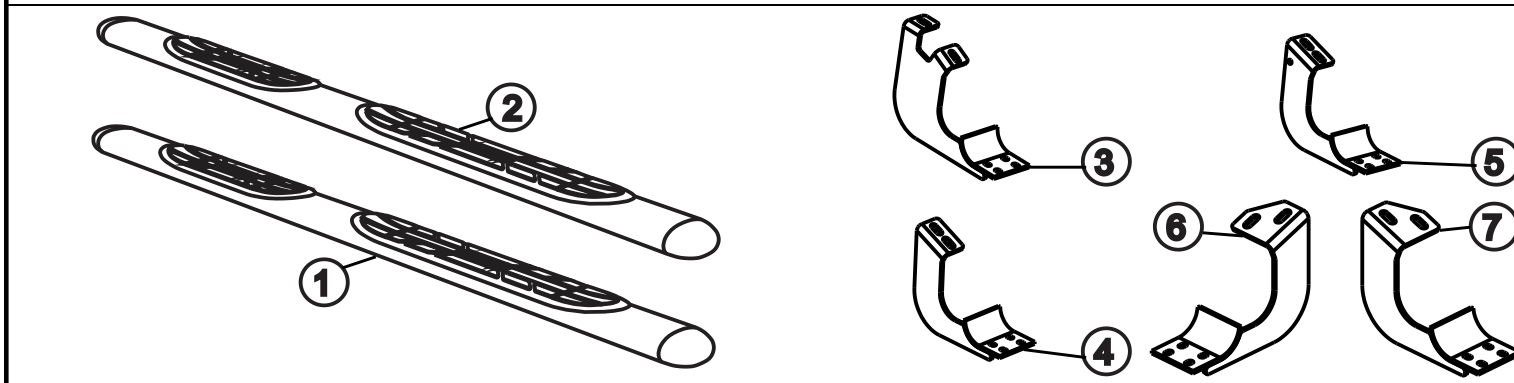
2008-2016 Toyota Sequoia

PART NUMBER:

22-1875

ITEM	QUANTITY	DESCRIPTION	TOOLS NEEDED
1,2	2	STEP BAR , PASSENGER (1) AND DRIVER (2) (SOLD SEPERATELY)	13MM SOCKET 13MM WRENCH
3	2	FRONT BRACKET	7/16" SOCKET
4	2	FRONT/CENTER BRACKET	RATCHET
5	2	REAR/CENTER BRACKET	TORQUE WRENCH
6,7	2	REAR BRACKET, PASSENGER (6) AND DRIVER (7)	
8	16	M8 HEX HEAD BOLT	
9	16	3/8" FLAT WASHER	
10	16	3/8" LOCK WASHER	
11	8	MOUNT ADAPTER PLATE (INCLUDED WITH STEP BARS)	
12	32	M6 LOCK NUT (INCLUDED WITH STEP BARS)	
13	32	M6 FLAT WASHER (INCLUDED WITH STEP BARS)	
14	8	6 INCH ADAPTER PLATE (INCLUDED WITH STEP BARS)	

ANTI-SEIZE LUBRICANT MUST BE USED ON ALL STAINLESS STEEL FASTENERS TO PREVENT THREAD DAMAGE AND GALLING



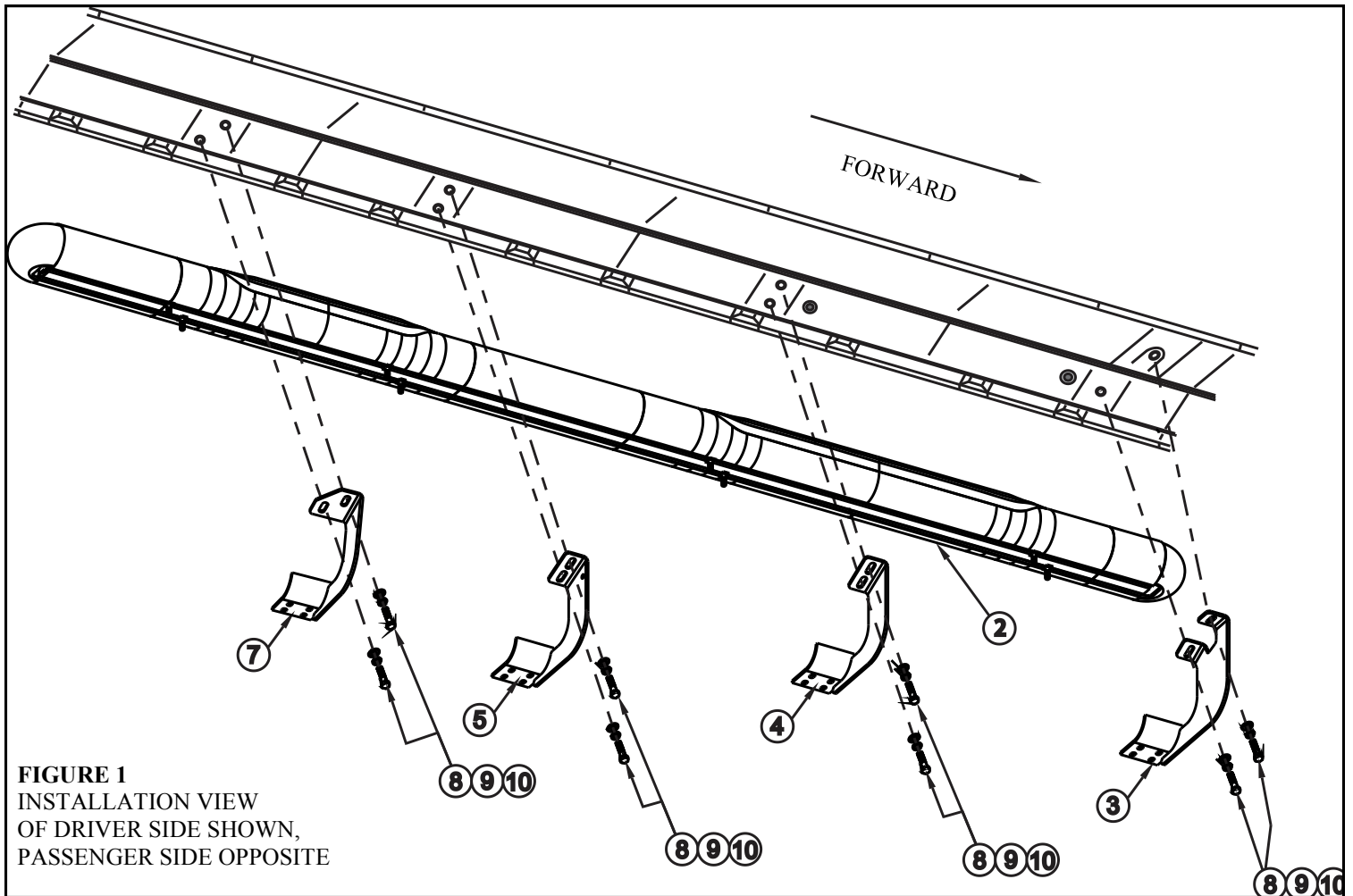
PROCEDURE

- Remove contents from box, verify if all parts listed are present and free from damage. Carefully read and understand all instructions before attempting installation.
Failure to identify damage before installation could lead to a rejection of any claim.
- Determine front, front center, rear center, and rear brackets. Rear/center bracket has 1 identification hole.
- Attach drivers side brackets to underside of body panel using two M8 hex head bolts, 3/8" flat washers, and 3/8" lock washers per bracket. Hand tighten. **See FIGURE 1.**
- Slide mount adapter plates on step bar as shown. Place step bar on saddle with long pad forward and end cap screw facing inward. Assemble with M6 hardware. **See FIGURES 2, 3, & 4.** Reference installations sheet, 75-0820, Oval Tube Mount Adapter Kit.



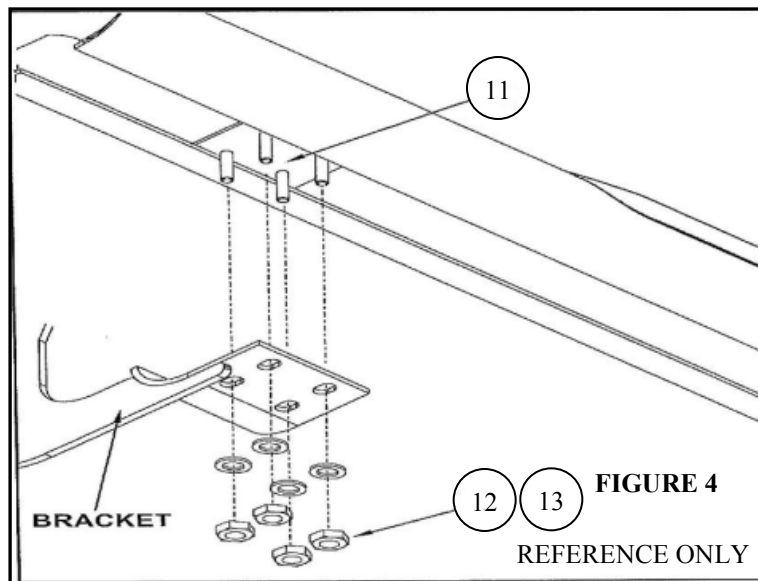
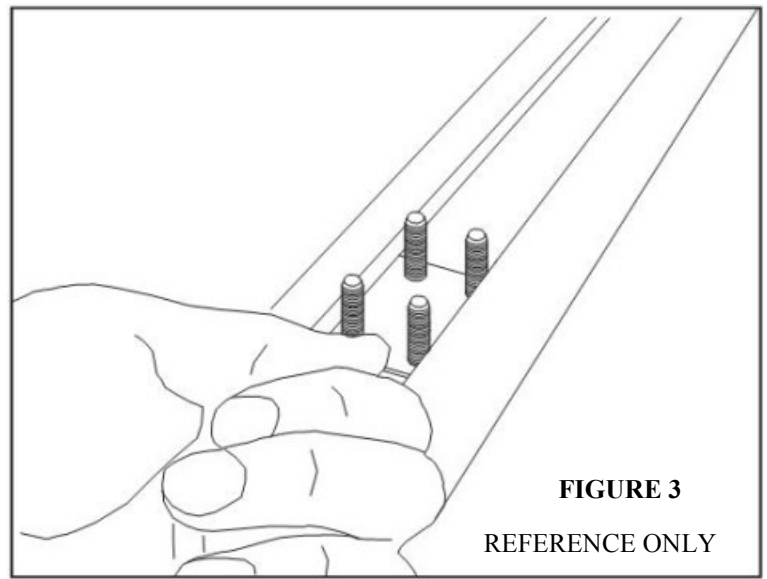
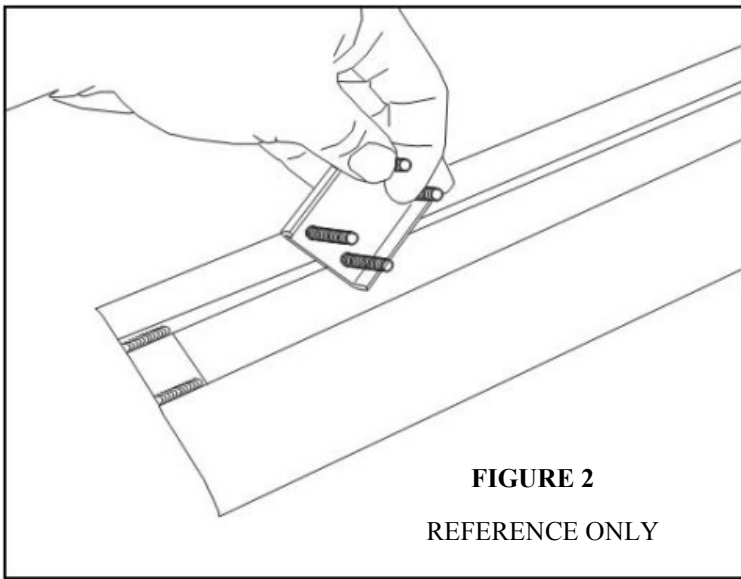
Westin Automotive Products, Inc.
320 W. Covina Blvd
San Dimas, Ca. 91773

5. Make sure step bar and brackets are properly aligned with vehicle and tighten fasteners. Recommended torque values are 23 FT.LBS. for M8 fasteners and 6 FT.LBS for factory M6 bolts.
6. Repeat installation for passenger side.



Westin Automotive Products, Inc.
 320 W. Covina Blvd
 San Dimas, Ca. 91773

Thank you for choosing Westin products
 for additional installation assistance please call
 Customer Service (800) 793-7846
www.westinautomotive.com



CARE INSTRUCTIONS

- REGULAR WAXING IS RECOMMENDED. DO NOT USE ANY TYPE OF POLISH OR WAX THAT MAY CONTAIN ABRASIVES.
- STAINLESS STEEL PRODUCTS CAN BE CLEANED WITH MILD SOAP AND WATER. STAINLESS STEEL POLISH SHOULD BE USED TO POLISH SMALL SCRATCHES.
- GLOSS BLACK FINISHES SHOULD BE CLEANED WITH MILD SOAP AND WATER.



Westin Automotive Products, Inc.
320 W. Covina Blvd
San Dimas, Ca. 91773

Thank you for choosing Westin products
for additional installation assistance please call
Customer Service (800) 793-7846
www.westinautomotive.com