

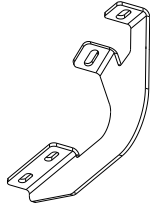


INSTRUCTIONS

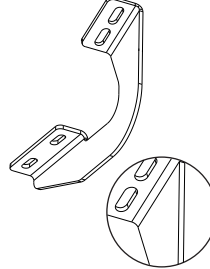
APPLICATION: 2007-19 TOYOTA TUNDRA DOUBLE CAB & CREW MAX

MOUNT KIT
27-1725

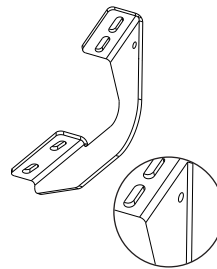
③



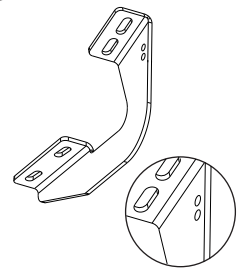
④



⑤



⑥



| ITEM | QTY | CONTENTS | TOOLS |
|------|-----|--|---|
| 1,2 | 2 | STEP BOARD, PASSENGER (1) AND DRIVER (2) (SOLD SEPARATELY) | 13MM SOCKET 13MM WRENCH RATCHET RATCHET EXTENSION TORQUE WRENCH |
| 3 | 2 | FRONT BRACKET | |
| 4 | 2 | FRONT/CENTER BRACKET | |
| 5 | 2 | REAR/CENTER BRACKET | |
| 6 | 2 | REAR BRACKET | |
| 7 | 16 | M8-1.25 X 30MM HEX HEAD BOLT | |
| 8 | 32 | M8 FLAT WASHER | |
| 9 | 16 | M8 LOCK WASHER | |
| 10 | 16 | M8 SQUARE HEAD BOLT | |
| 11 | 16 | M8 NYLOCK NUT | |

- STEP 1. Remove contents from box, verify if all parts listed are present and free from damage. Carefully read and understand all instructions before attempting installation.
Failure to identify damage before installation could lead to a rejection of any claim.
- STEP 2. Determine front, front center, rear center and rear brackets. Rear/center bracket has 1 identification hole and rear bracket has 2 identification holes. SEE FIGURE 1.
- STEP 3. Attach drivers side brackets to underside of body panel using two M8-1.25 x 30mm hex head bolts, M8 flat washers, and M8 lock washers per bracket. Hand tighten. SEE FIGURE 1.
- STEP 4. Insert square head bolts as shown (4 per slot, 8 per board). SEE FIGURES 3 AND 4. NOTE: For lighted boards, run wiring harness prior to attaching board to brackets (refer to Step 4). Run longer wire harness on passenger side.
- STEP 5. For Sure-Grip Running Boards, slide closure strip as shown. Set lights (if purchased) in appropriate location. Attach to Sure-Grip Running Board as shown. SEE FIGURE 2. Drill hole through plastic strip and run wires as shown. SEE FIGURE 5.
- STEP 6. Attach board to brackets as shown. Make sure board and brackets are properly aligned and tighten fasteners. Recommended torque values are 22 Ft.Lbs. For M8 hardware. SEE FIGURE 6.
NOTE: For lighted version of Molded Step Board, remove plastic cover from each end of under side of board. Proceed to Steps 7-8.

WARNING: INSTALLING LIGHT HARNESS REQUIRES SPLICING INTO VEHICLES ELECTRICAL SYSTEM. WESTIN RECOMMENDS USING A PROFESSIONAL FOR THIS INSTALLATION. NOTE: AVOID AREAS OF EXCESSIVE HEAT, VIBRATION, PINCH OR ROTATION WHEN SECURING HARNESS TO



Westin Automotive Products, Inc.
320 W. Covina Blvd
San Dimas, Ca. 91773

Thank you for choosing Westin products
for additional installation assistance please call
Customer Service (800) 793-7846
www.westinautomotive.com

VEHICLE. CAUTION: ALWAYS USE A FUSED(+) POSITIVE SUPPLY SOURCE. UNDERCOAT SEAL FOR HARSH WEATHER.

HINT: Molded Step Boards: For longevity, check rubber seals before installation. Rubber grommets around red and blue wires going into rear sockets, should be inserted and recessed about 1/4". NOTE: Remove bulbs and apply white grease into sockets and replace bulbs. Apply RTV Silicone where lights go into socket. Install lights and run wire loom as shown. SEE FIGURE 4. For Sure-Grip Running Boards, run wire loom down center as shown. SEE FIGURE 3.

STEP 7. Determine whether your vehicle has a positive or negative switching courtesy system or an auxiliary light source (most Fords). Obtain an accurate wiring diagram for your vehicle's courtesy light system.

For positive and negative switching:

Locate a pass-through point (usually under carpet at driver side door sill) for the wire harness. Locate main courtesy wire (usually wire lead to dome light). NOTE: If you do not use the main courtesy wire, lights will only function when one door is open. Route wire harness so that the 2 female connections (from step board) are nearest to pass thru point.*Connect opposite step board lead to either connection. Connect the splicing lead to remaining female socket and route one wire thru pass thru point. SEE FIGURE 7.

VERY IMPORTANT - Double check that your system has positive or negative switching.

For positive switching only: Connect positive wire to main courtesy system, (usually wire lead to dome light). TEST CONTINUITY BEFORE CONNECTING BY OPENING AND CLOSING ALL DOORS. Ground remaining wire.

For negative switching only: Connect negative wire to main courtesy system, (usually wire lead to dome light but sometimes from dome light to courtesy ECU). TEST GROUND CONTINUITY BEFORE CONNECTING BY OPENING AND CLOSING ALL DOORS. Connect remaining wire to battery using a 5A fuse.

**Be sure that you have not routed any wires near moving parts (i.e.. driveshaft) or near any heat generating source (i.e.. transmission, engine, exhaust).

Auxiliary Light source:

Locate auxiliary light source connection under vehicle (usually attached to back side of front or rear fender well (refer to vehicles owners manual). SEE FIGURE 7. TEST SOURCE BEFORE CONNECTING. Connect splicing leads to aux light source. test step board lights for proper function by opening and closing doors.

STEP 8. Under-coat board, brackets and electrical wires, connections and lenses for harsh weather conditions. Reinstall plastic cover on underside

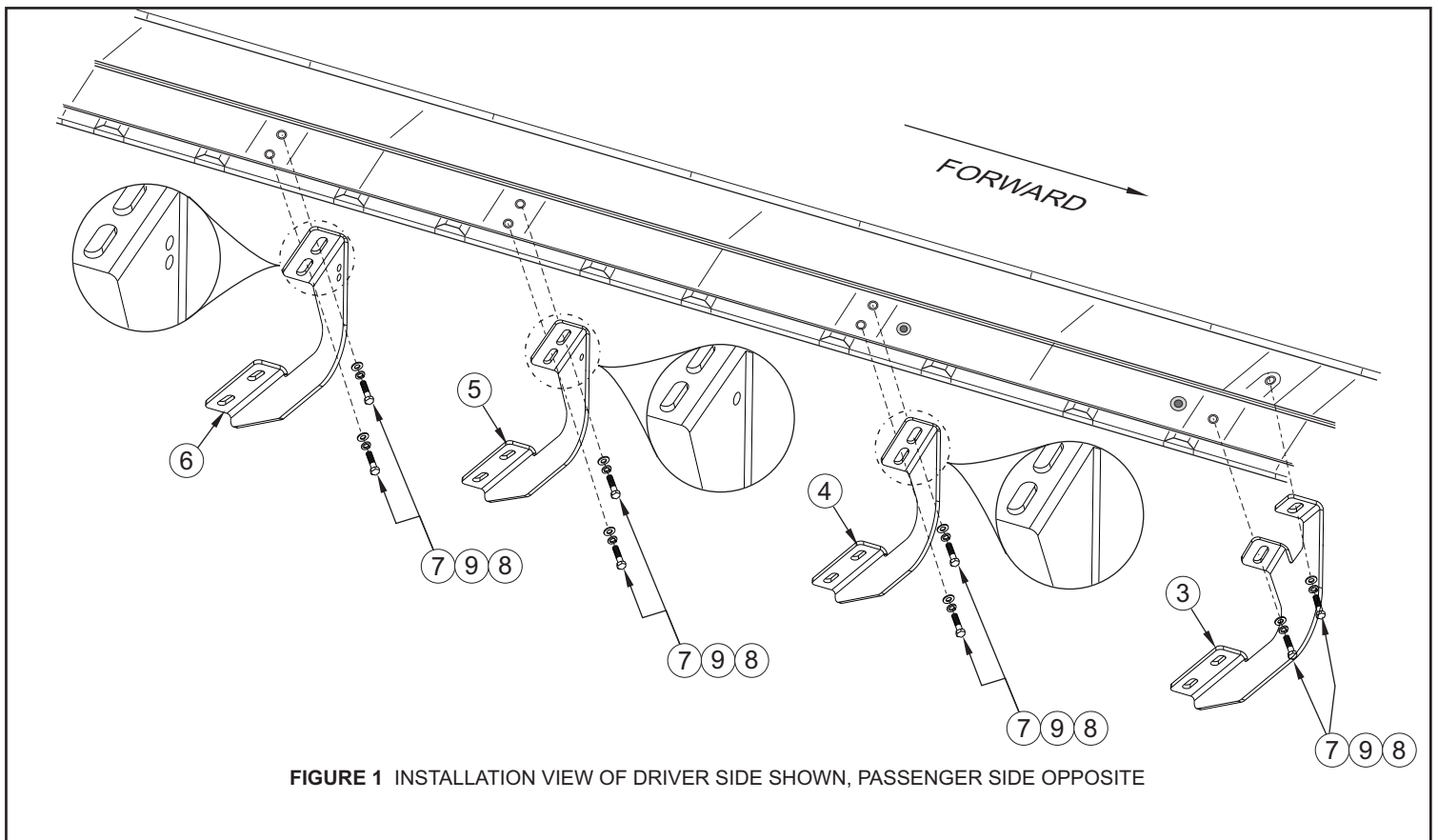


FIGURE 1 INSTALLATION VIEW OF DRIVER SIDE SHOWN, PASSENGER SIDE OPPOSITE

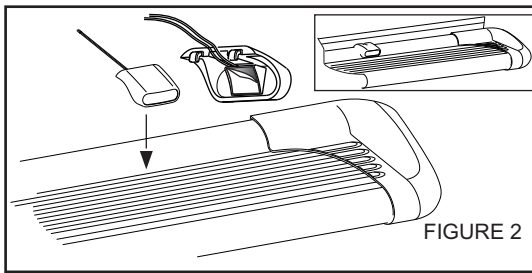


FIGURE 2

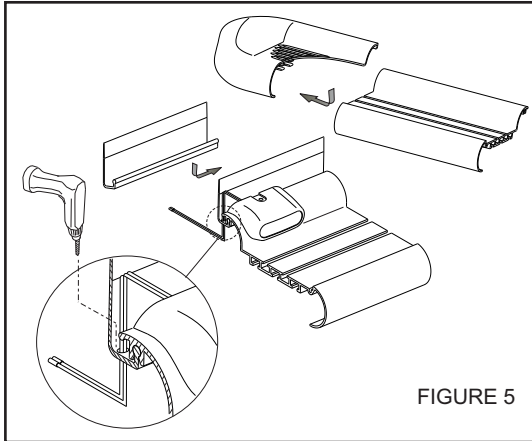


FIGURE 5

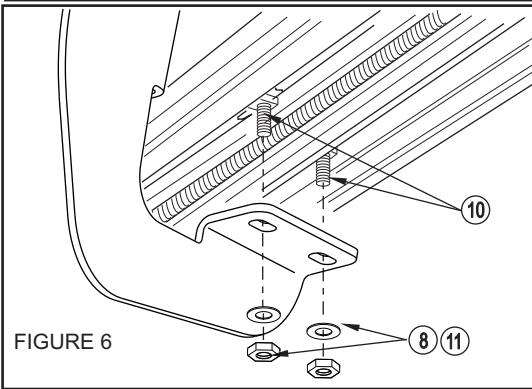


FIGURE 6

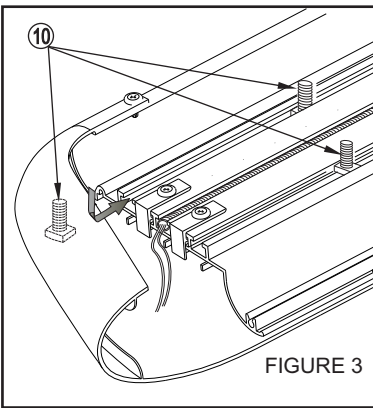


FIGURE 3

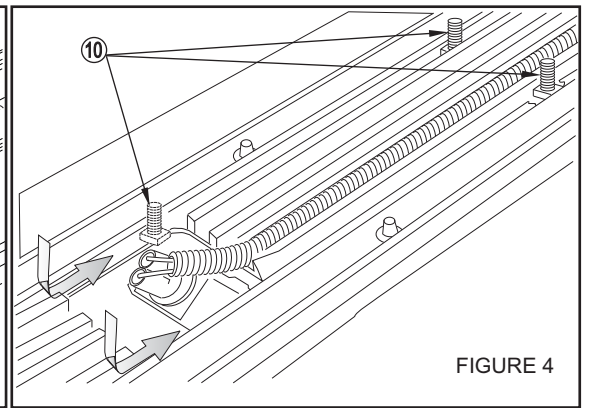
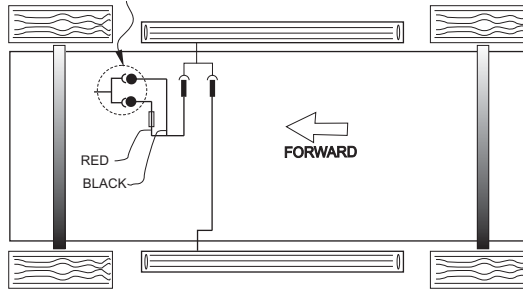


FIGURE 4

AUXILIARY LIGHT SOURCE (IF EQUIPPED)



(SEE WIRING INSTRUCTION)

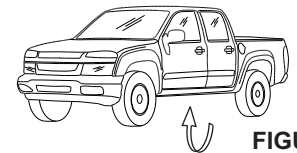
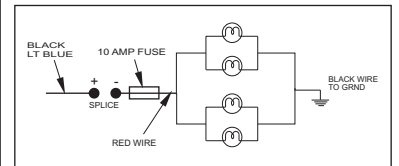
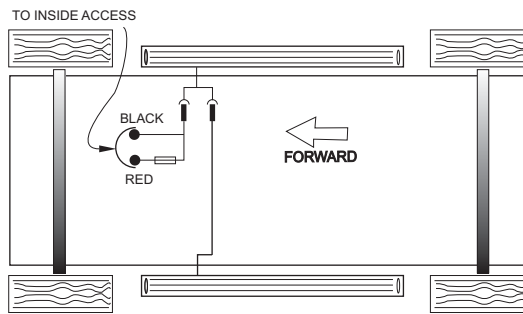


FIGURE 7



WARNING

Failure to follow these instructions could lead to death, personal injury, and / or property damage.

Failure to follow these instructions could lead to death, personal injury, and / or property damage.

FASTENERS:

All Westin supplied fasteners must be utilized and installed in accordance with the installation instructions and apply torque to the specifications as defined. **DOUBLE CHECK ALL FASTENERS BEFORE INITIAL USE, AND PERIODICALLY IN THE FUTURE TO ENSURE PROPER FUNCTION AND SAFETY.**

DRILLING:

Most Westin products do not require drilling for installation. If drilling is defined as required, use caution when drilling a vehicle. **FAILURE TO REVIEW AN AREA TO BE DRILLED MAY RESULT IN PERSONAL INJURY AND/OR INJURY TO OTHERS AS WELL AS VEHICLE DAMAGE.**

EYE PROTECTION:

ALWAYS WEAR SAFETY GLASSES OR GOGGLES DURING THE INSTALLATION PROCESS TO AVOID PERSONAL INJURY.

MAXIMUM TOWING/CARRYING CAPACITY: (if applicable)

The Westin Receiver Hitches will have a visible tow rating label affixed directly on the product. User should never exceed the vehicle manufacturers maximum tow and weight rating regardless of the capacity of the hitch. **FAILURE TO FOLLOW THESE GUIDELINES WILL VOID THE WESTIN WARRANTY AND MAY RESULT IN PERSONAL INJURY AND/OR INJURY TO OTHERS AS WELL AS VEHICLE DAMAGE.**

FOR CALIFORNIA RESIDENTS ONLY-PROP 65 WARNING:

Some products may contain chemicals such as DEHP, which can cause cancer, birth defects or other reproductive harm. For more info go to www.p65warnings.ca.gov



Westin Automotive Products, Inc.
320 W. Covina Blvd
San Dimas, Ca. 91773

Thank you for choosing Westin products
for additional installation assistance please call
Customer Service (800) 793-7846
www.westinautomotive.com