

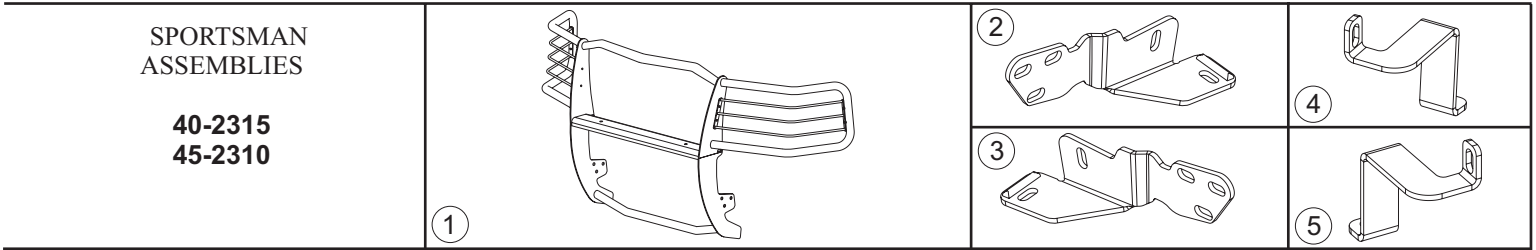


SIGNATURE OF QUALITY

AUTOMOTIVE PRODUCTS, INC.

INSTALLATION INSTRUCTIONS

APPLICATION: 2007-08 CHEVY SILVERADO 2500/3500HD SERIES



PARTS KIT CONTENTS

| ITEM | QTY | DESCRIPTION | TOOLS REQUIRED |
|------|-----|---|-------------------------|
| 1 | 1 | SPORTSMAN ASSEMBLY | 18MM SOCKET |
| 2,3 | 2 | BOTTOM BRACKET, PASSENGER (2) AND DRIVER (3) | 18MM WRENCH |
| 4,5 | 2 | TOP BRACKET, PASSENGER (4) AND DRIVER (5) | 19MM SOCKET |
| 6 | 6 | M12-1.75 X 40MM HEX HEAD BOLT, STAINLESS STEEL | 17MM SOCKET |
| 7 | 12 | M12 FLAT WASHER, STAINLESS STEEL | 18MM WRENCH |
| 8 | 6 | M12 LOCK WASHER, STAINLESS STEEL | RATCHET |
| 9 | 6 | M12-1.75 HEX NUT, STAINLESS STEEL | SOCKET EXTENSION |
| 10 | 2 | M10-1.5 X 40 MM BUTTON HEAD BOLT, STAINLESS STEEL | SMALL FLAT SCREW DRIVER |
| 11 | 4 | M10 FLAT WASHER, STAINLESS STEEL | NEEDLE NOSE PLIERS |
| 12 | 2 | M10 LOCK WASHER, STAINLESS STEEL | UTILITY KNIFE |
| 13 | 2 | M10-1.5 HEX NUT, STAINLESS STEEL | |
| 14 | 6 | M12 BOLT PLATE, YELLOW ZINC | |
| 15 | 6 | M12 FLAT WASHER, YELLOW ZINC | |
| 16 | 6 | M12 LOCK WASHER, YELLOW ZINC | |
| 17 | 6 | M12 HEX NUT, YELLOW ZINC | |
| 18 | 2 | ANTI-REFLECTIVE TAPE (POLISHED ASSEMBLIES ONLY) | |

- NOTE: WESTIN ADVISES THE INSTALLER TO USE A THREAD LUBRICANT ON ALL STAINLESS HARDWARE.
- STEP 1. Remove the contents from box and check for damage. Verify all parts are present. Read instructions completely before beginning.
- STEP 2. Open the hood and remove the radiator cover to access the factory grille shell. Using a small flat head screwdriver, remove the 8 push pins. **SEE FIGURE 1.**
- STEP 3. Use a 10MM socket to remove the four bolts from the grille shell. **SEE FIGURE 2.**
- STEP 4. Using a pair of "needle nose" pliers, squeeze the six grille mounting clips. Begin from one end of the grille and insert a small screwdriver into the clips to prevent them from popping back into place. Remove the grille by pulling on it gently and evenly forward. **SEE FIGURE 2.**
- STEP 5. Remove the two top existing frame bolts and install the upper brackets. Reinstall the bolts but leave them loose. **SEE FIGURE 3.**
- STEP 6. Reinstall the factory grille shell at this time, line up the clips and gently push it into place. Do not reinstall radiator cover at this time.
- STEP 7. Remove tow hooks by removing the front through bolt and rear bolt that threads into the bottom of the tow hooks. The tow hooks will be reinstalled. **NOTE:** If vehicle is not equipped with tow hooks, place M12 bolt plates through the mounting holes from the inside of the frame. **SEE FIGURE 5.**
- STEP 8. Slide brackets in through the backside of the tow hook pockets. Align upper slots on brackets with holes on the outside of the frame ends. Reinstall tow hooks. Secure with factory hardware. Leave loose. It may be necessary to trim the fascia around the tow hook area in order to properly align the brackets. **NOTE:** If using M12 bolt plates, use the supplied M12 yellow zinc fasteners. **SEE FIGURES 3 AND 5.**
- STEP 9. Attach Sportsman to brackets using 12MM fasteners. **SEE FIGURE 4.** Center and level Sportsman on vehicle and tighten all fasteners. Re-install radiator cover at this time.
- STEP 10. If light glare is being experienced off the wings of the grille guard, anti reflective tape has been supplied to reduce glare. With headlights on, note where the reflection is concentrated on the wing. Clean the wing well with a non-abrasive cleaner (rubbing alcohol works the best.) Trim the anti-reflective tape to the appropriate size where the glare was located and apply tape. **SEE FIGURE 6.**

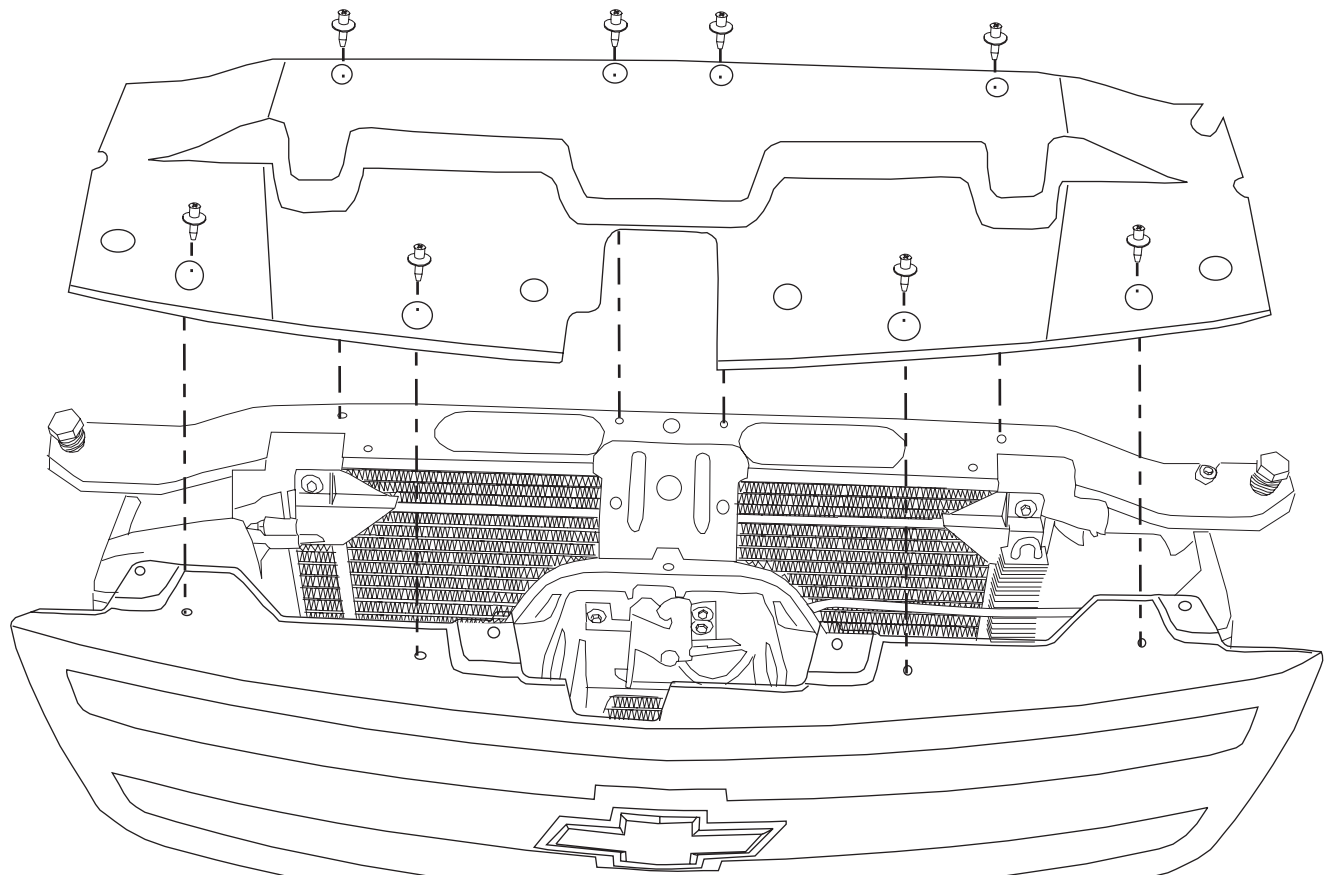


FIGURE 1

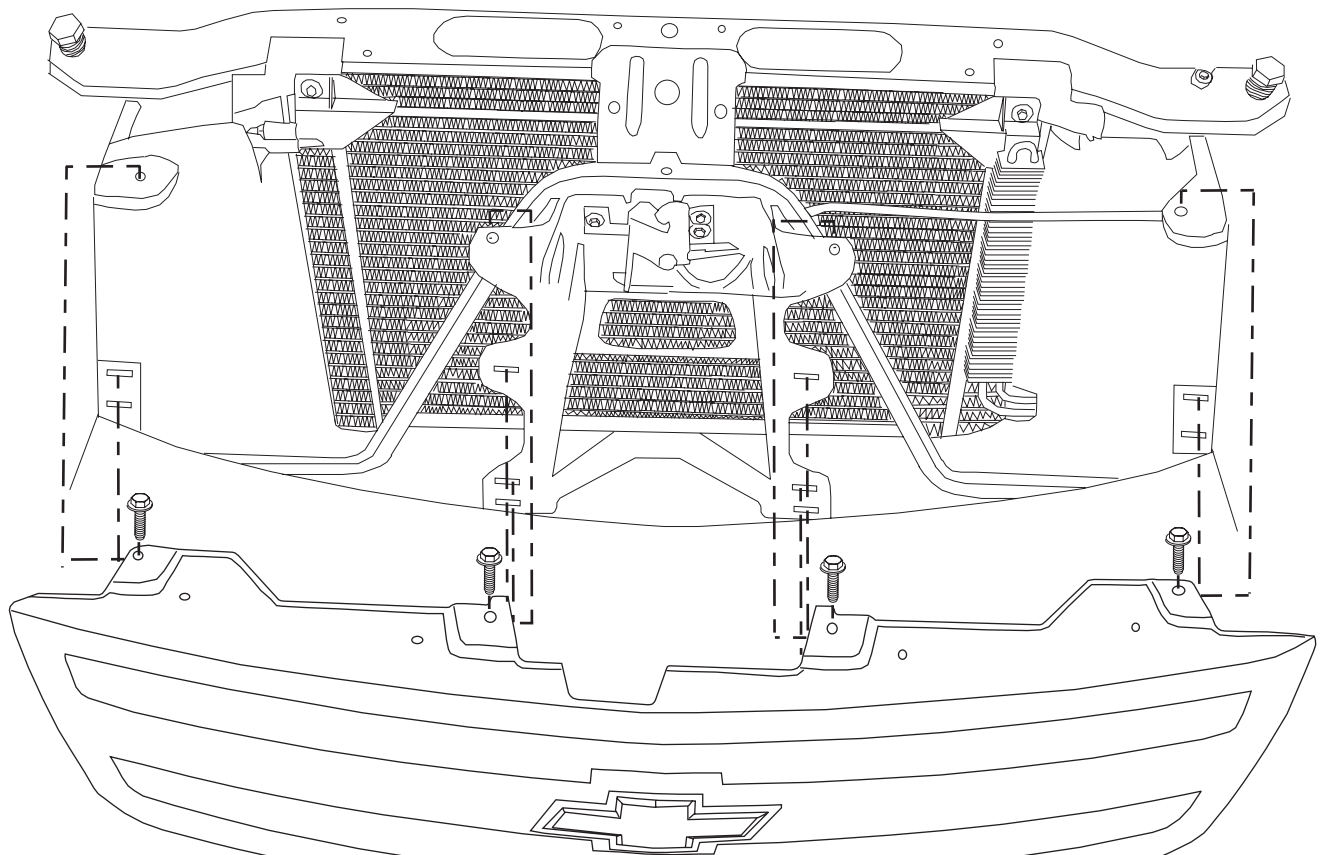


FIGURE 2

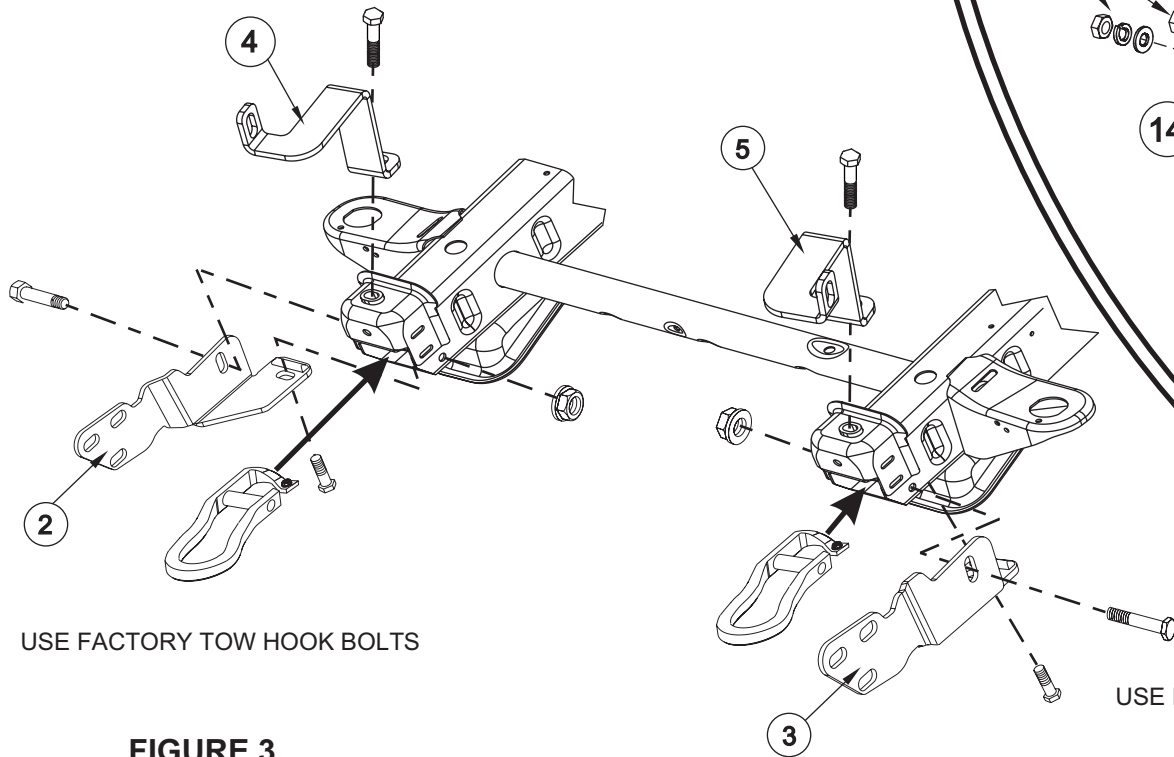


FIGURE 3

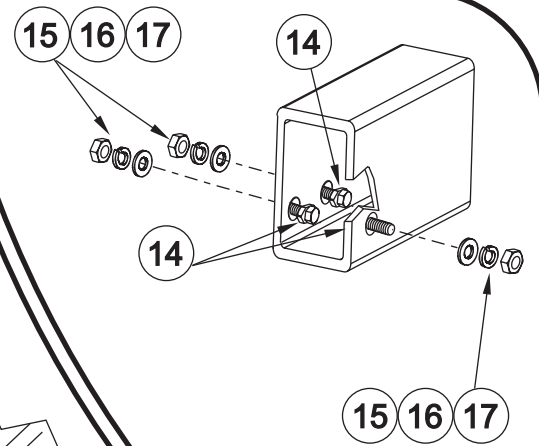


FIGURE 5
INSTALLATION
WITHOUT TOW HOOKS

TRIMMING OF TOW HOOK
AREA MAY BE NEEDED

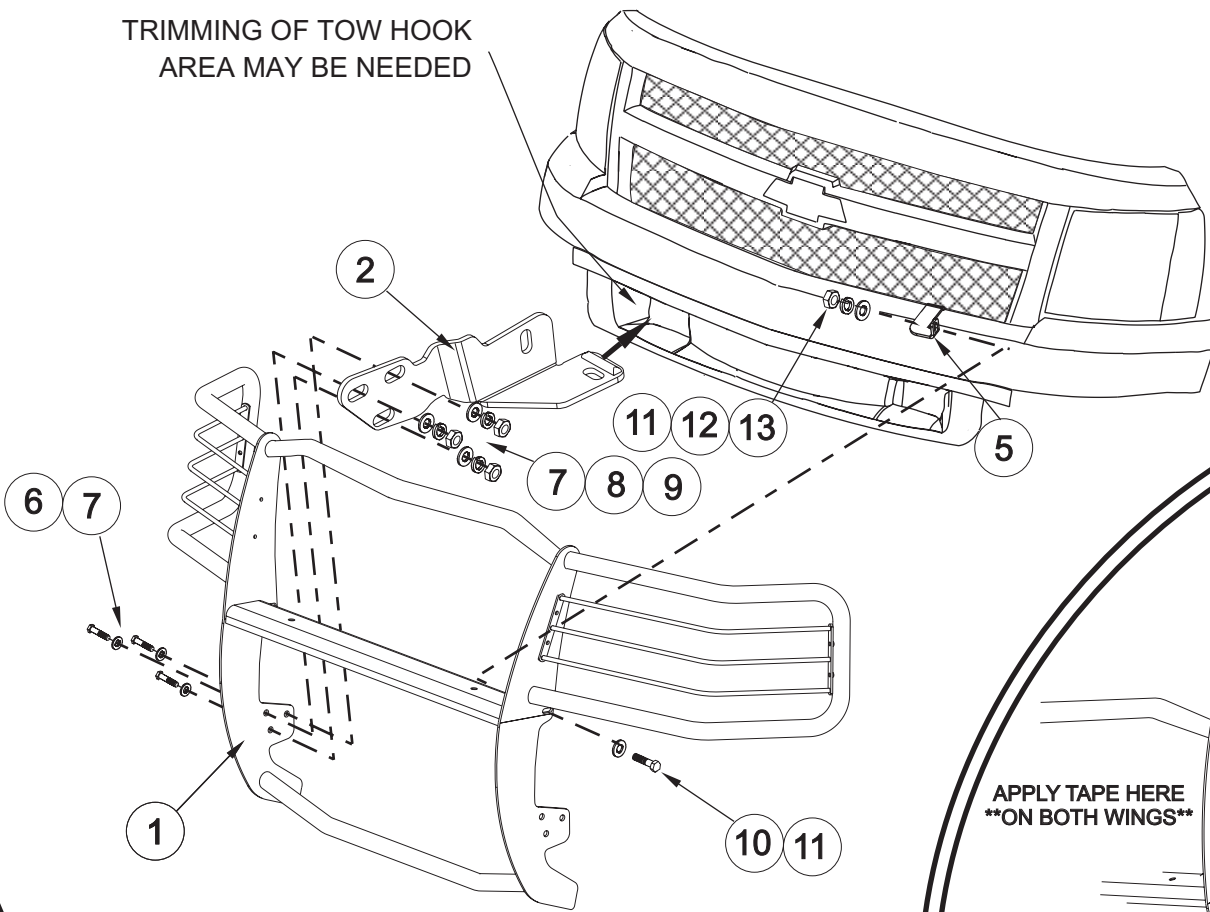


FIGURE 4

APPLY TAPE HERE
ON BOTH WINGS

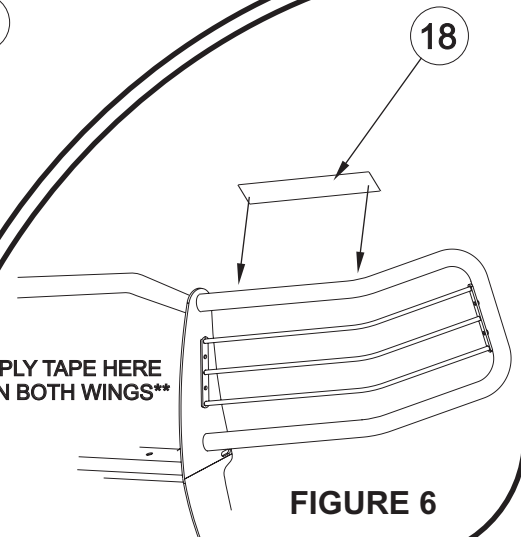


FIGURE 6